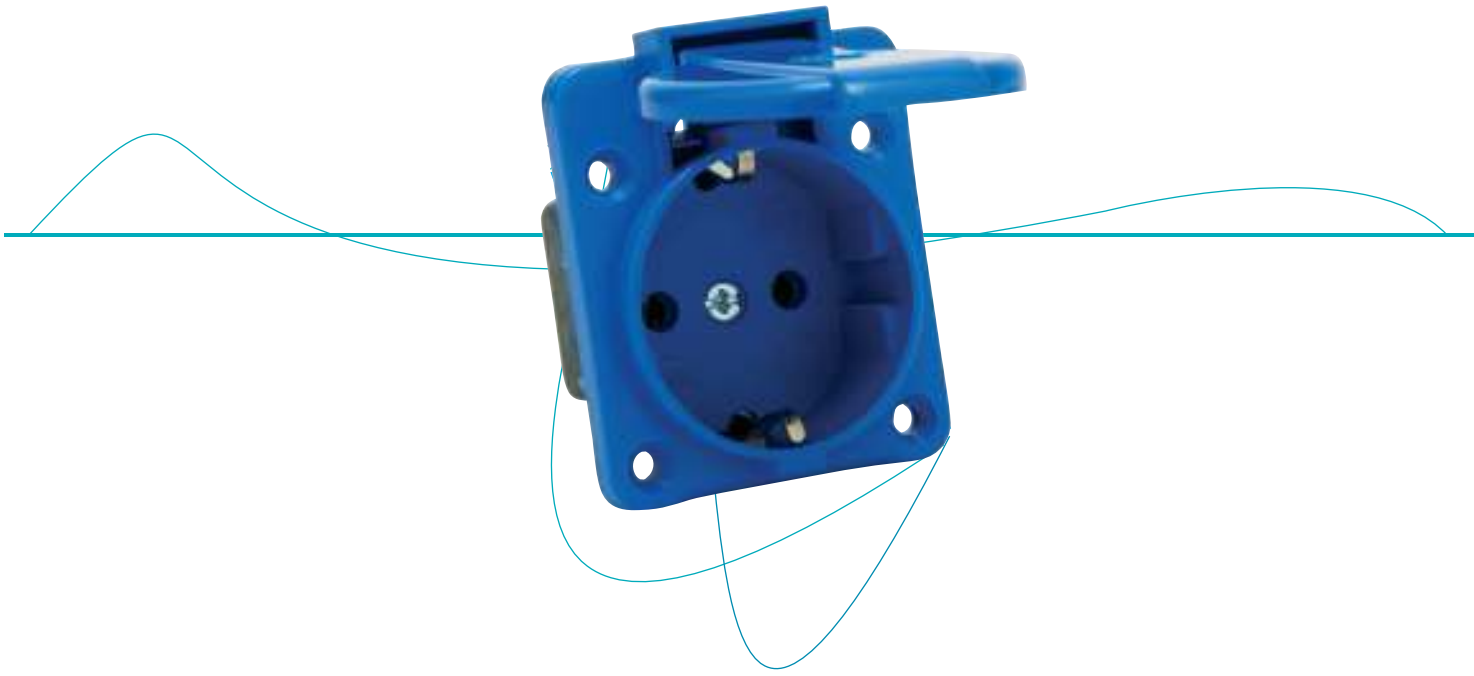


	MONOFAZE FİŞ & PRİZLER single phase plugs & sockets	2
	KANAL ÜSTÜ PRİZ GRUPLARI sockets for cable trunkings	6
	KAUÇUK FİŞ & PRİZLER rubber plugs & sockets	18
	CEE NORM FİŞ & PRİZLER cee norm plugs & sockets	25
	KOMBİNASYON KUTULARI combination boxes	46
	KABLO MAKARALARI cable pulleys	53
	DAĞITIM PANOLARI distribution boards	61
	TERMOPLASTİK BUATLAR thermoplastic enclosures	73
	TEM PDU TEM PDU	77
	DAHİLİ PRİZ KUTULARI surface boxes	97
	AKSESUARLAR appliances	101



TEM®



MONOFAZE FİŞ & PRİZLER
single phase plugs & sockets

215.116.150

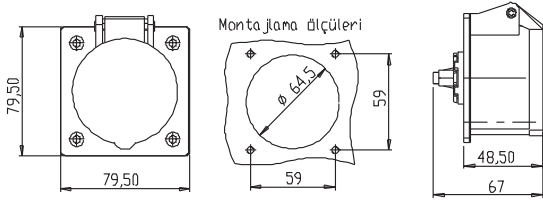


PANO PRİZİ

panel mounting socket



200-250V
16A
2P+⏏
IP 44



215.116.151

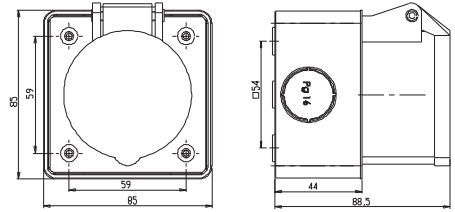


**DİK KASALI
DUVAR PRİZİ**

wall mounting socket
with straight box



200-250V
16A
2P+⏏
IP 44



215.116.152

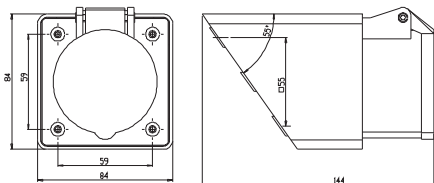


**EĞİK KASALI
DUVAR PRİZİ**

wall mounting socket
with angled box



200-250V
16A
2P+⏏
IP 44



215.116.153

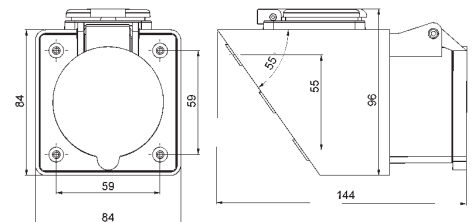


**EĞİK KASALI
DUVAR PRİZİ
+SCHUKO**

wall mounting socket
with angled box
+schuko



200-250V
16A
2P+⏏
IP 44



216.216.150



SCHUKO TİP
PANO PRİZİ

schuko type panel
mounting socket

216.216.151

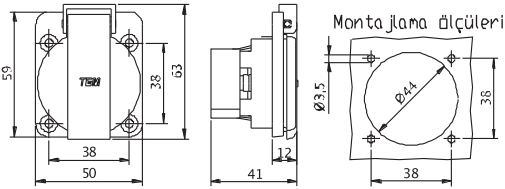


SCHUKO TİP
PANO PRİZİ
ÇOCUK EMNİYETLİ

schuko type panel
mounting socket
with child protection



200-250V
16A
2P+⏏
IP 44



216.316.150



SCHUKO TİP
UPS PANO PRİZİ

schuko type panel
mounting socket. UPS

216.316.151

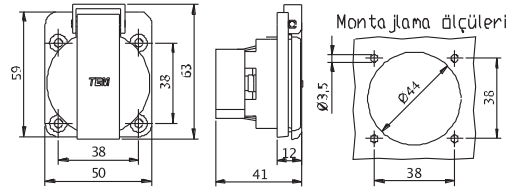


SCHUKO TİP
UPS PANO PRİZİ
ÇOCUK EMNİYETLİ

schuko type panel
mounting socket. UPS
with child protection



200-250V
16A
2P+⏏
IP 44



250.216.150

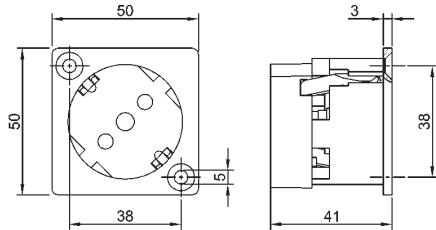


DÖŞEME ALTI
ŞEBEKE PRİZİ

under floor socket
(w-earth)



200-250V
16A
2P+⏏

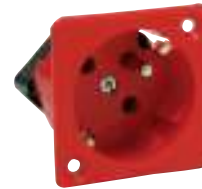


250.316.150

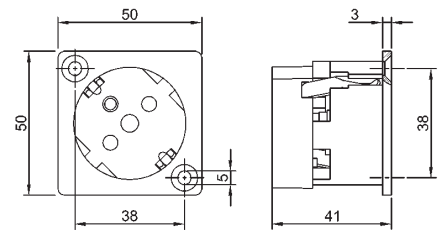


DÖŞEME ALTI
UPS PRİZİ

under floor socket
(UPS)

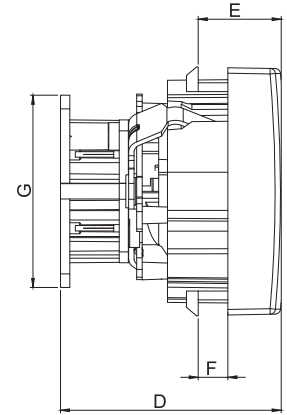
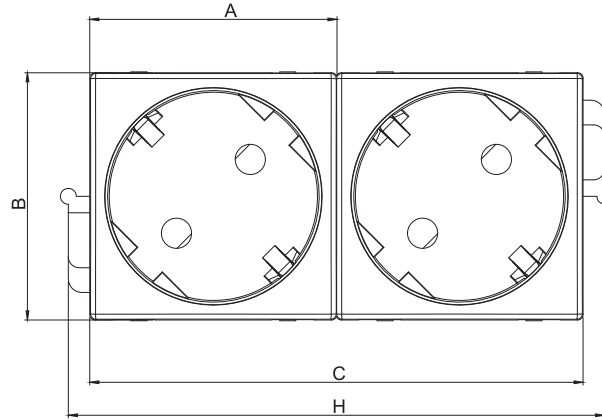



















200-250V
16A
2P+⏏





200-250V
16A
2P+⏏
IEC 61643-1



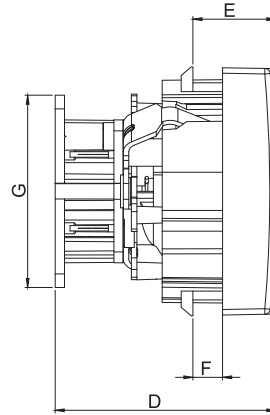
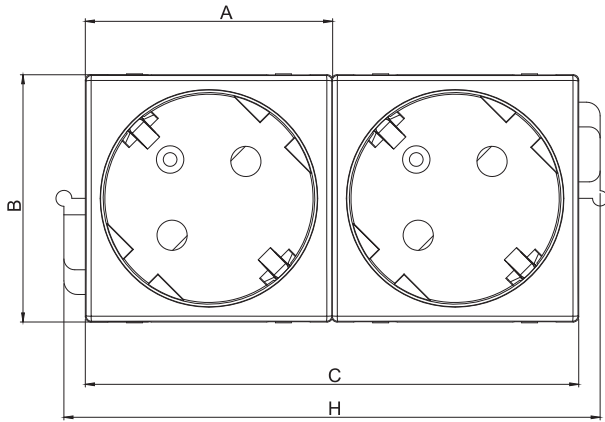
	Ref. Code	Ref Code with child protection	A	B	C	D	E	F	G	H		
												gr.
	245.216.150	245.216.151	45	45	45	40	15	5.5	32	33		
	246.216.150	246.216.151	45	45	45	40	15	5.5	32	33		
	300.216.002	300.216.102	45	45	90	40	15	5.5	35	97.5		
	300.216.003	300.216.103	45	45	135	40	15	5.5	35	142.5		
	300.216.004	300.216.104	45	45	180	40	15	5.5	35	187		








KANAL ÜSTÜ UPS PRİZİ

socket for cable trunkings (UPS)

TEM®

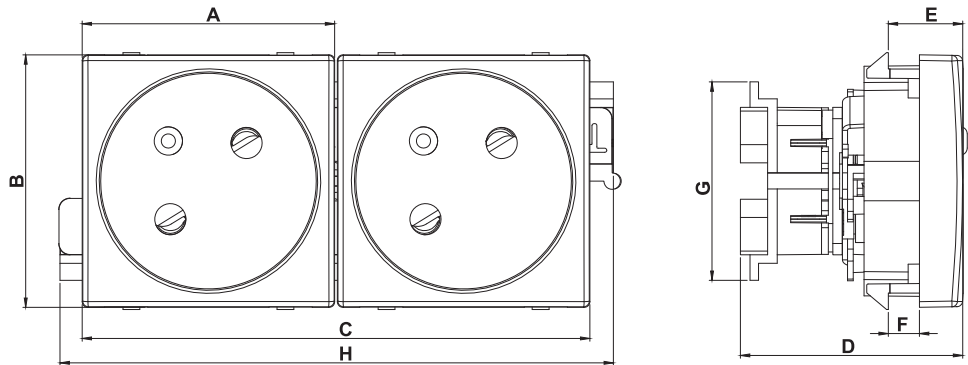
200-250V
16A
2P+⚡








	Ref. Code	Ref Code with child protection	A	B	C	D	E	F	G	H		
												gr.
	245.316.150	245.316.151	45	45	45	40	15	5.5	32	33	60	36
	246.316.150	246.316.151	45	45	45	40	15	5.5	32	33	60	32
	300.316.002	300.316.102	45	45	90	40	15	5.5	35	97.5	30	62
	300.316.003	300.316.103	45	45	135	40	15	5.5	35	142.5	30	91
	300.216.004	300.316.104	45	45	180	40	15	5.5	35	187	30	120



200-250V
16A
2P+⏏
NF C 61-314



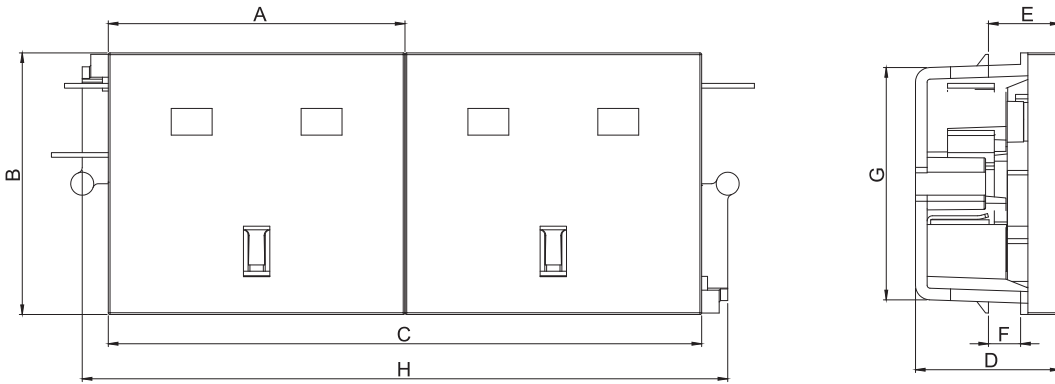
	Ref. Code	A	B	C	D	E	F	G	H		
											gr.
	310.316.102	45	45	90	40	13	5.5	35	97.5	30	62
	310.316.103	45	45	135	40	13	5.5	35	142.5	30	91
	310.316.104	45	45	180	40	13	5.5	35	187	30	120

KANAL ÜSTÜ İNGİLİZ PRİZİ

british socket for cable trunkings



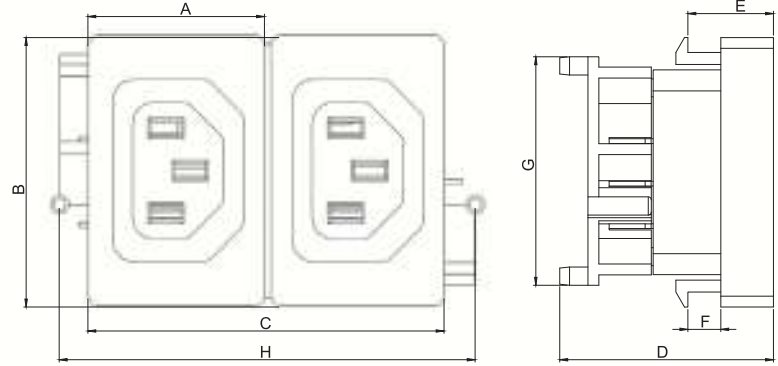
200-250V
13A
2P+⏚
BS 1363








	Ref. Code	A	B	C	D	E	F	G	H		
											gr.
	315.313.102	51	45	90	25	12	5.5	40	111	30	60
	315.313.103	51	45	135	25	12	5.5	40	161	30	90
	315.313.104	51	45	180	25	12	5.5	40	211	30	115



200-250V
10A
2P+⏏
IEC 320



	Ref. Code	A	B	C	D	E	F	G	H		
											gr.
	320.310.002	29.5	45	60	36	14.5	5.5	38	70	30	59
	320.310.003	29.5	45	90.5	36	14.5	5.5	38	101	30	82
	320.310.004	29.5	45	121	36	14.5	5.5	38	132	30	108.4

KANAL ÜSTÜ KAPALI ÇEKİRDEKLİ PRİZLER

mosaic socket for cable trunkings

TEM®

345.216.150

**ŞEBEKE & UPS
PRİZİ**
45x45 mm



345.316.150

schuko & ups
socket
45x45mm



346.216.150

**ŞEBEKE & UPS
PRİZİ 45°**
45x4 5mm



346.316.150

schuko & ups
socket 45°
45x45mm



721.130.150

**FARKLI STANDARTLARDA
PRİZLER**
45x45 mm

İNGİLİZ PRİZİ - BS SOCKET



721.160.150

AMERİKAN PRİZİ - USA SOCKET



721.170.150

foreign standards
sockets
45x45 mm

UNIVERSAL PRİZ - SOCKET



722.225.021

**AÇMA - KAPAMA
ANAHTARLAR**

22.5X45mm



722.045.022

on - off
switch

45X45mm



720.130.150

**IEC C13 10A
VİDALI & TIRNAKLI
KONNEKTÖR**



720.130.160

**IEC C13 10A
push-in & screwed
connector**



720.140.320

**IEC C14 10A
VİDALI & TIRNAKLI
KONNEKTÖR**



720.140.340

**IEC C14 10A
push-in & screwed
connector**



720.190.150

**IEC C19 16A
VİDALI & TIRNAKLI
KONNEKTÖR**



720.190.160

**IEC C19 16A
push-in & screwed
connector**



720.200.320

**IEC C20 16A
VİDALI & TIRNAKLI
KONNEKTÖR**



720.240.340

**IEC C20 16A
push-in & screwed
connector**



720.130.200

**IEC C13 & C14
SEYYAR
KONNEKTÖR**



720.140.300

**IEC C13 & C14
inline
connector**



720.190.200

**IEC C19 & C20
SEYYAR
KONNEKTÖR**



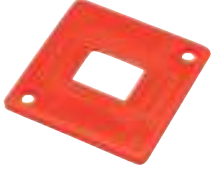
720.200.300

**IEC C19 & C20
inline
connector**



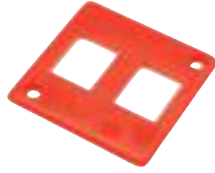
708.100.010

**DÖŞEME ALTI
SOKET KAPAĞI**
50x50mm



708.100.020

faceplate
for under floor
50x50mm



710.100.106

**KANAL ÜSTÜ
SOKET KAPAĞI**
45x45mm



710.100.107

faceplate
for trunking
45x45mm



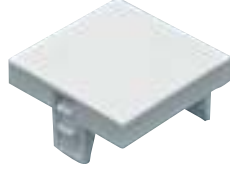
709.100.103

**KANAL ÜSTÜ SOKET
KAPAĞI**
45x45mm



709.200.103

faceplate for
trunking
45x45mm



709.100.104

**KANAL ÜSTÜ SOKET
KAPAĞI**
22.5x45 mm



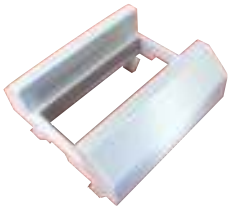
709.200.104

faceplate for
trunking
22.5x45mm



710.100.108

**KANAL ÜSTÜ YÜKSELTME
KEYSTONE KAPAĞI**
45x45mm



710.100.109







710.100.110

keystone faceplate for
lift up trunking
45x45mm



710.100.103	710.100.104	710.100.105
KANAL ÜSTÜ YAYLI KEYSTONE KAPAĞI 45x45 mm & 22.5x45 mm		keystone faceplate for trunking with shutter 45x45mm & 22.5x45mm
		

715.100.030	715.100.050
RJ11/12 CAT3 TELEFON KONNEKTÖRÜ	RJ 45 CAT5e DATA KONNEKTÖRÜ
cat3 telephone keystone jack	cat5e data keystone jack
	

715.100.060	715.100.061
RJ45 CAT6 DATA KONNEKTÖRÜ	RJ45 CAT6A DATA KONNEKTÖRÜ
cat6 data keystone jack	cat6a data keystone jack
	

723.000.150

TV PRİZİ

tv socket



TV Çıkış Kaybı 0,5 dB

TV loss 0,5 dB

Çalışma Frekansı 5-862 MHz

operating frequency 5-862 MHz

723.000.300

TV PRİZİ ERKEK

tv socket male



TV Çıkış Kaybı 0,5 dB

TV loss 0,5 dB

Çalışma Frekansı 5-862 MHz

operating frequency 5-862 MHz

723.000.400

UYDU PRİZİ
(F KONNEKTÖRLÜ)

SAT wall socket
(F connector)



TV Çıkış Kaybı 0,3 dB

TV loss 0,3 dB

Çalışma Frekansı 5-2200 MHz

operating frequency 5-2200 MHz

715.300.001

VGA KONNEKTÖR
6+2 KLEMESLİ
22,5x45 mm Faceplate

vga faceplate
6+2 screw-in
22,5x45 mm



715.300.002

VGA KONNEKTÖR
14+2 KLEMESLİ
22,5x45 mm Faceplate

vga faceplate
14+2 push-in
22,5x45 mm




715.300.003

VGA KONNEKTÖR
F / F SOKET GRİŞLİ
45x45 mm Faceplate

vga faceplate
f / f 180°
45x45 mm




715.200.001	715.200.002	715.200.003
USB KONNEKTÖR KEYSTONE F / F		usb keystone f / f
USB - B 	USB - A 	USB - A 

715.200.004	
USB KONNEKTÖR F / F 90° 22.5x45 mm Faceplate	usb faceplate f / f 90° 22.5x45 mm
	

715.200.005	
USB KONNEKTÖR F / F 180° 22.5x45 mm Faceplate	usb faceplate f / f 180° 22.5x45 mm
	

715.200.006	
USB KONNEKTÖR KLEMENSLİ 22.5x45 mm Faceplate	usb faceplate screw-in 22.5x45 mm
	

715.200.100	
USB ŞARJ CİHAZI 22.5x45 mm	usb charger 22.5x45mm
	

715.400.001

HDMI KONNEKTÖR
F / F 90°
22.5x45 mm Faceplate

hdmi faceplate
f / f 90°
22.5x45 mm



715.400.002

HDMI KONNEKTÖR
F / F 180°
22.5x45 mm Faceplate

hdmi faceplate
f / f 180°
22.5x45 mm



715.400.003

HDMI KONNEKTÖR
F / F ÜSTTEN
22.5x45 mm Faceplate

hdmi faceplate
f / f top output
22.5x45 mm



715.400.004

HDMI KONNEKTÖR
KEYSTONE
F -F

715.400.005

hdmi
keystone
f - f



715.500.001

RCA KONNEKTÖR
KLEMENSLİ
22.5x45 mm Faceplate

rca faceplate
screw-in
22.5x45 mm



715.600.001

STEREO KONNEKTÖR
KLEMENSLİ
22.5x45 mm Faceplate

stereo faceplate
screw-in
22.5x45 mm





TEM®



KAUÇUK FİŞ & PRİZLER
rubber plugs & sockets

215.116.300

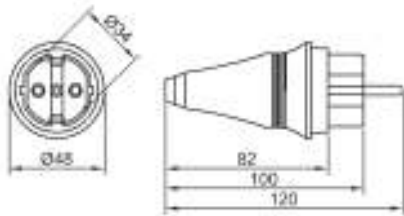


MONOFAZE KAUKUK FİŞ

single phase rubber plug



200-250V
16A
2P+⏚



215.116.320

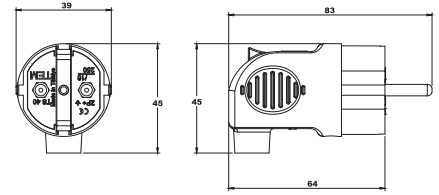


MONOFAZE KAUKUK EĞİK FİŞ

single phase rubber angled plug



200-250V
16A
2P+⏚



215.116.200

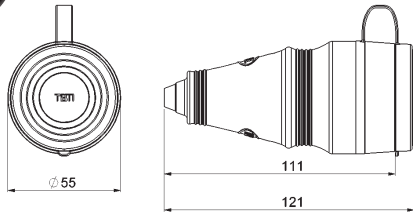


MONOFAZE KAUKUK SEYYAR PRİZ

single phase rubber connector



200-250V
16A
2P+⏚



215.116.101

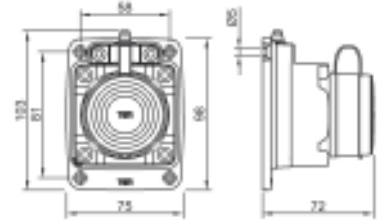


MONOFAZE KAUKUK DUVAR PRİZİ

single phase rubber wall mounting socket



200-250V
16A
2P+⏚



215.116.102

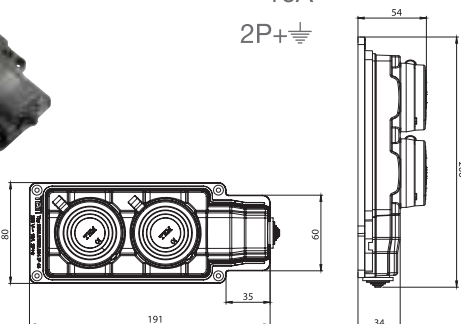


MONOFAZE KAUKUK İKİLİ GRUP PRİZ

single phase rubber two way multi socket



200-250V
16A
2P+⏚



215.116.103

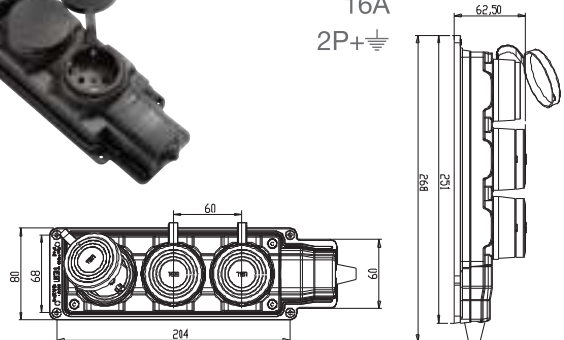


MONOFAZE KAUKUK ÜÇLÜ GRUP PRİZ

single phase rubber three way multi socket







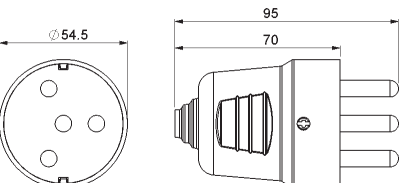

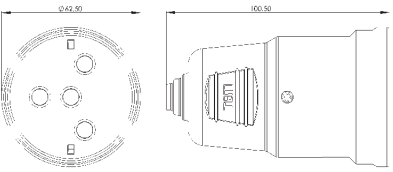

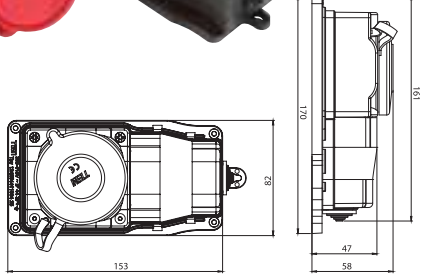
200-250V
16A
2P+⏚



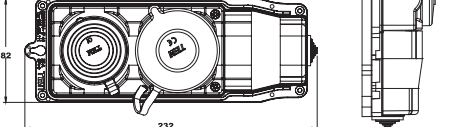




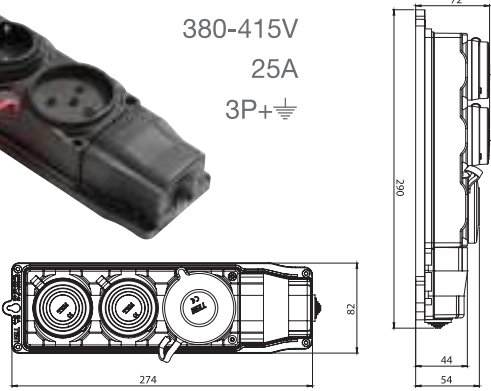
TRİFAZE KAUÇUK FİŞ & PRİZLER



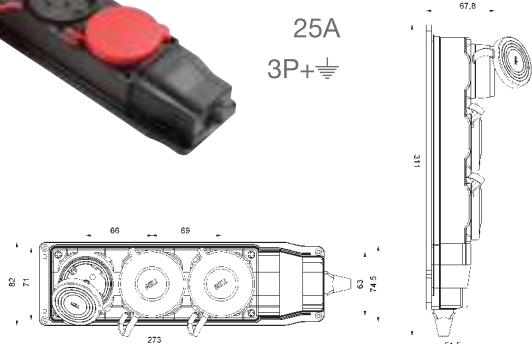
three phase rubber sockets & plugs



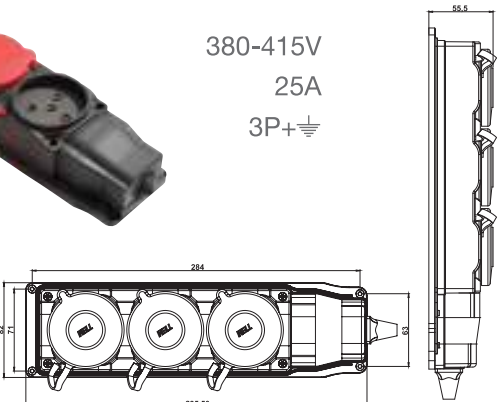
TEM®

540.425.300  TRİFAZE KAUÇUK FİŞ three phase plug	540.425.200  TRİFAZE KAUÇUK SEYYAR PRİZ three phase rubber connector	540.425.110  TRİFAZE KAUÇUK DUVAR PRİZİ three phase rubber socket
 <p>380-415V 25A 3P+~</p> 	 <p>380-415V 25A 3P+~</p> 	 <p>380-415V 25A 3P+~</p> 

540.425.111  1 TRİFAZE 1 MONOFAZELİ KAUÇUK GRUP PRİZ 1 three phase 1 single phase rubber socket
 <p>380-415V 25A 3P+~</p> 

540.425.112  1 TRİFAZE 2 MONOFAZELİ KAUÇUK GRUP PRİZ 1 three phase 2 single phase rubber socket
 <p>380-415V 25A 3P+~</p> 

540.425.121  2 TRİFAZE 1 MONOFAZELİ KAUÇUK GRUP PRİZ 2 three phase 1 single phase rubber socket
 <p>380-415V 25A 3P+~</p> 

540.425.130  ÜÇLÜ TRİFAZE KAUÇUK GRUP PRİZ three way three phase rubber multi socket
 <p>380-415V 25A 3P+~</p> 

540.425.150

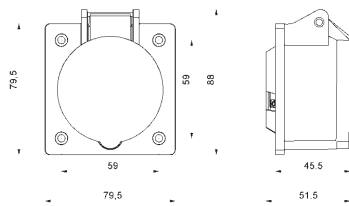


PANO PRİZİ

panel mounting socket



380-415V
25A
3P+⏏
IP 44



540.425.151

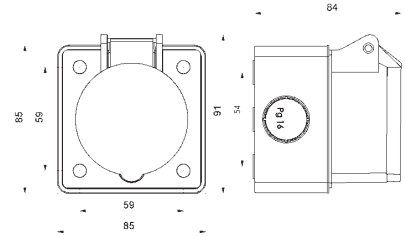


DİK KASALI DUVAR PRİZİ

wall mounting socket with straight box



380-415V
25A
3P+⏏
IP 44

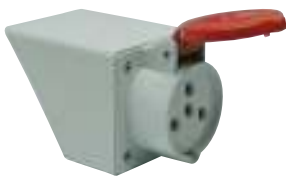


540.425.152

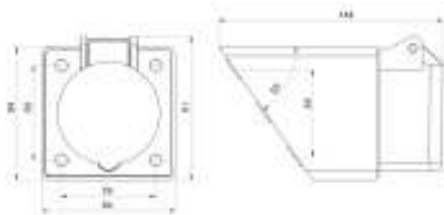


EĞİK KASALI DUVAR PRİZİ

wall mounting socket with angled box



380-415V
25A
3P+⏏
IP 44



540.425.153

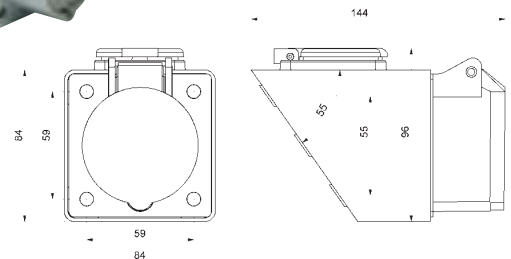


EĞİK KASALI DUVAR PRİZİ + SCHUKO

wall mounting socket with angled box + schuko



380-415V
25A
3P+⏏
IP 44



TRİFAZE PRİZLER 3x16A

three phase sockets

TEM®

544.316.150

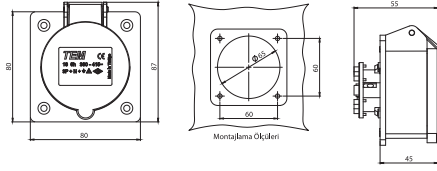


PANO PRİZİ

panel mounting socket



380-415V
16A
3P+⏏
IP 44



544.316.151

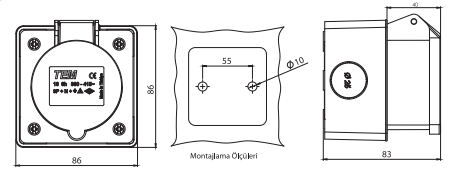


DİK KASALI DUVAR PRİZİ

wall mounting socket with straight box



380-415V
16A
3P+⏏
IP 44



544.316.152

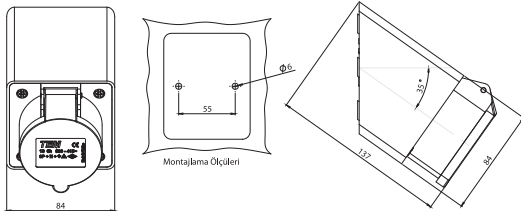


EĞİK KASALI DUVAR PRİZİ

wall mounting socket with angled box



380-415V
16A
3P+⏏
IP 44



544.316.153

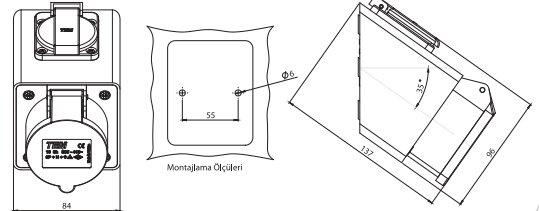


EĞİK KASALI DUVAR PRİZİ + SCHUKO

wall mounting socket with angled box + schuko



380-415V
16A
3P+⏏
IP 44



544.332.150

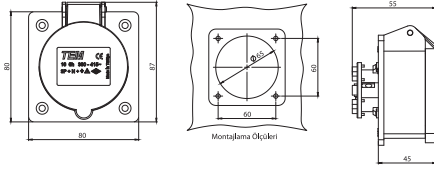


PANO PRİZİ

panel mounting socket



380-415V
32A
3P+⏏
IP 44



544.332.151

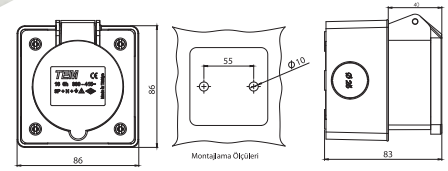


DİK KASALI DUVAR PRİZİ

wall mounting socket with straight box



380-415V
32A
3P+⏏
IP 44



544.332.152

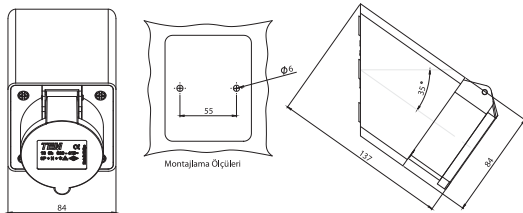


EĞİK KASALI DUVAR PRİZİ

wall mounting socket with angled box



380-415V
32A
3P+⏏
IP 44



544.332.153

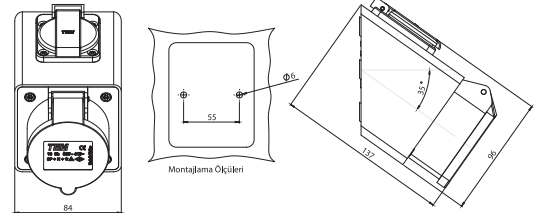


EĞİK KASALI DUVAR PRİZİ + SCHUKO

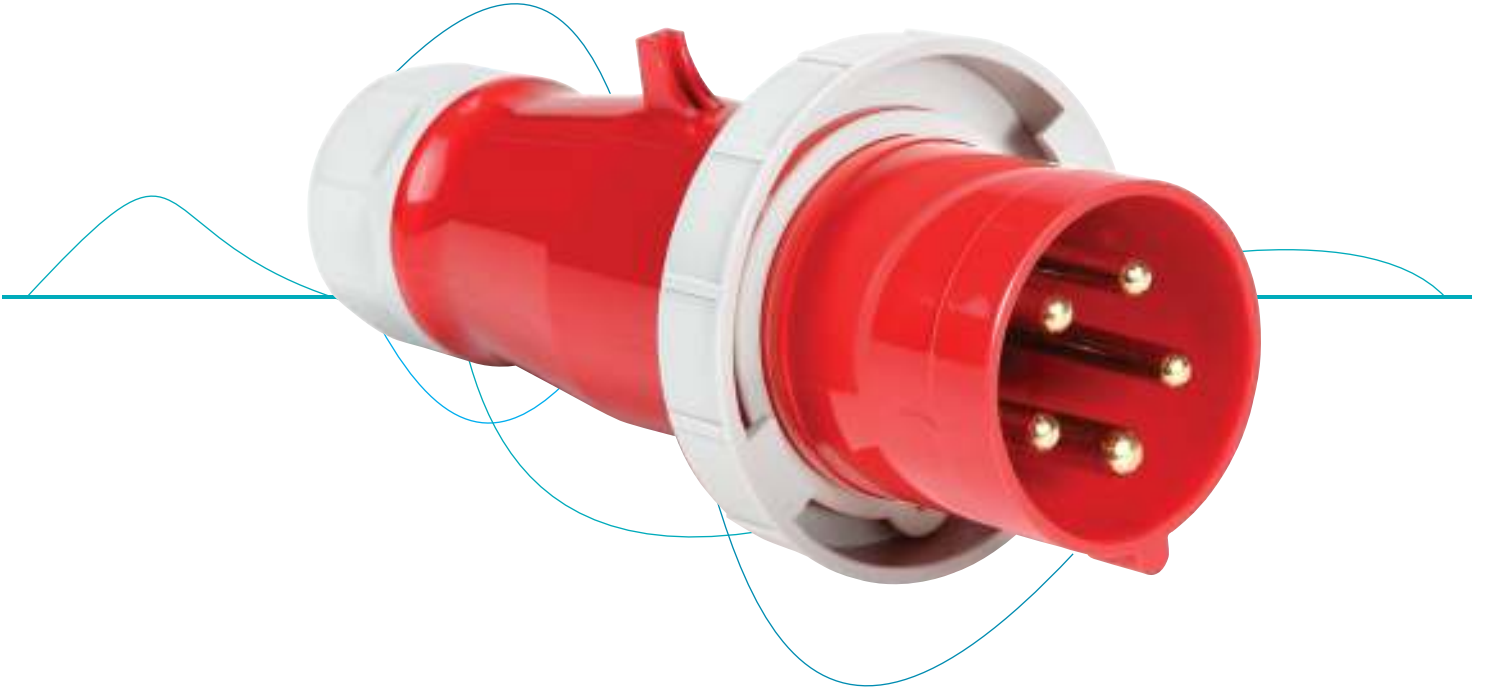
wall mounting socket with angled box + schuko



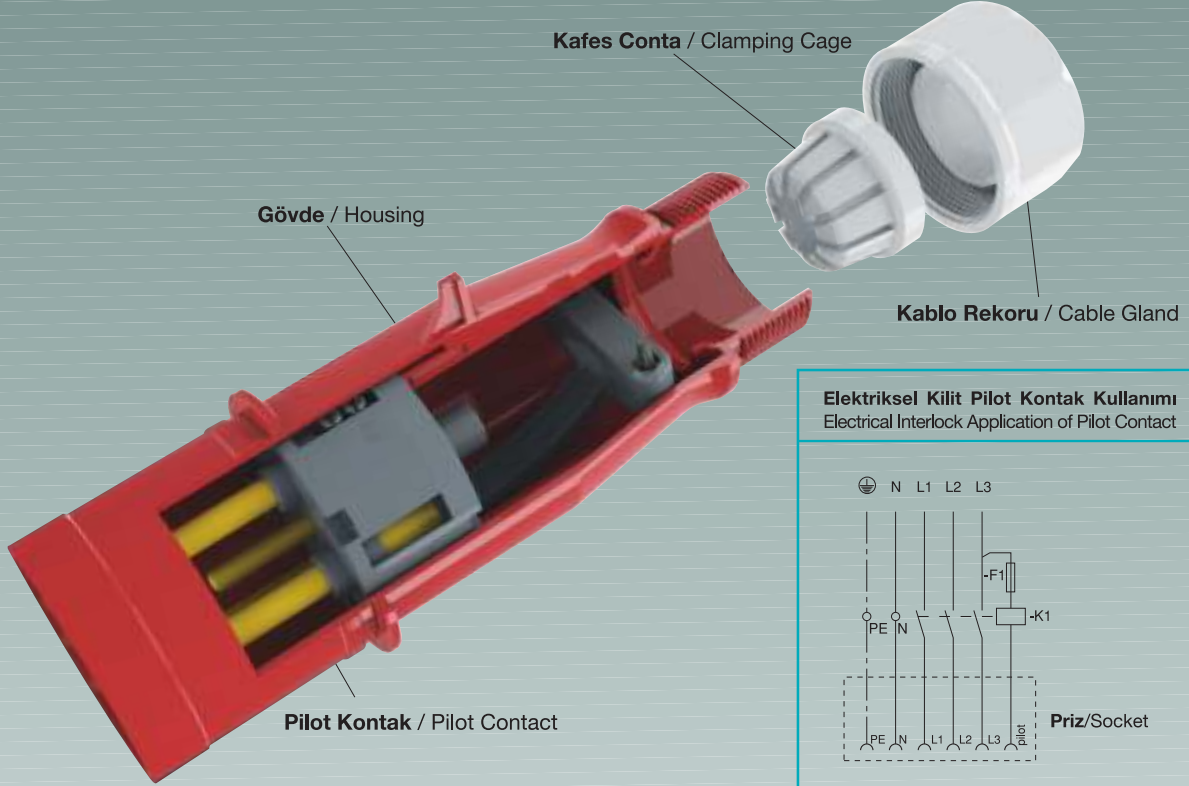
380-415V
32A
3P+⏏
IP 44



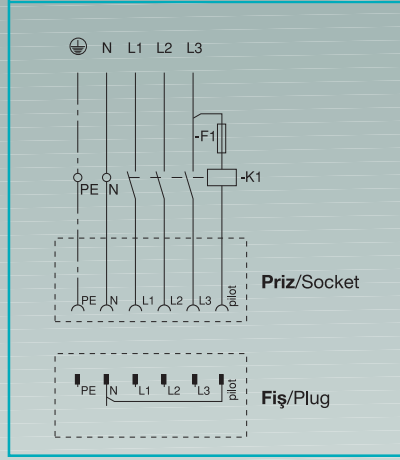
TEM®



CEE NORM FİŞ & PRİZLER
cee norm plugs & sockets



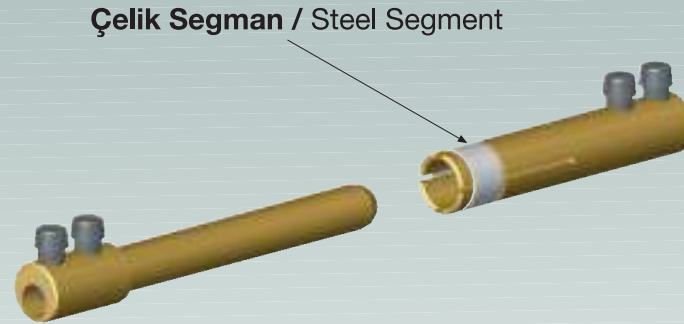
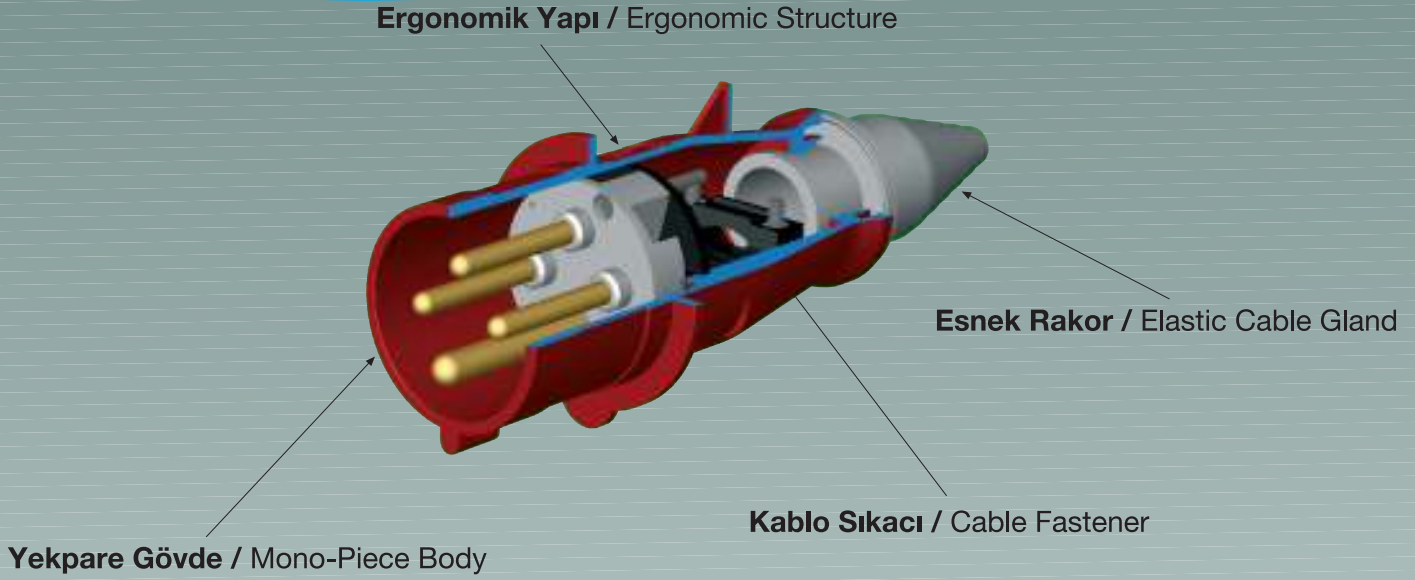
Elektriksel Kilit Pilot Kontak Kullanımı
Electrical Interlock Application of Pilot Contact



Standards	Nominal Voltage Un (V)	Poles	Color	Nominal Current In (A)	h	IP	Hz.	Installation Temperature	
EN 60309-1-2 TS 7205-7206	110	3	Yellow	16	4	44	50-60	-25°C	+60°C
	220	3	Blue	16	6	44			
	380	4	Red			44-67			
	380	5	Red	44-67					
	220	3	Blue	32		44-67			
	380	4	Red	44-67					
	380	5	Red	63		44-67			
	380	4	Red			44-67			

Nominal Current in (A)	Terminal	Terminal Cable Capacity mm ² NYA	
		min.	max.
A	mm ²		
16	20	1,5	4
32	50	2,5	10
63	113	6	25

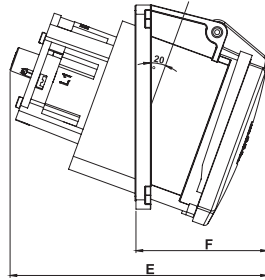
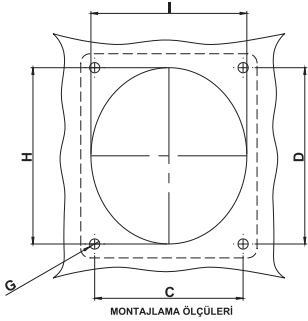
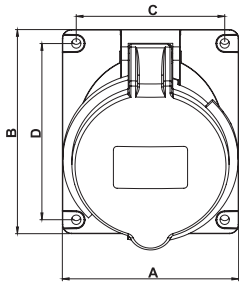
Material	Installation Temperature	Heat Resistance Level
PA	-25°C +60°C	V2



Mükemmel Temas Sağlayan Kutuplar / Full-Contact Poles

TEM CEE fiş ve prizleri, çeşitli kutupları (2P+E; 3P+E; 3P+N+E) sayesinde, elektrik devrelerine bağlanarak gerekli ihtiyaçları karşılar. Alçak gerilimde çalışmaya uygun üretilirler (110V, 220V, 380V, 450V) ve gerilimlerine göre renklendirilirler. IP 44 ve IP 67 gibi yüksek koruma dereceleri, değişik nominal akım değerleri (16A, 32A, 63A) ve uygulama alanına göre çeşitli şekilleri (duvar tipi, pano tipi, eğik, düz, kasalı..) mevcuttur. Yürürlükte olan ulusal ve uluslararası standartlara uygun olarak üretilen TEM CEE fiş ve prizleri, kaliteli bileşenleri ile güvenliği garanti eder.

TEM CEE plugs and sockets, with their number of poles (2P+E; 3P+E; 3P+N+E) connecting to almost any electric circuit, meet appropriately the requirements. They are adapted to operate at low voltage (110V, 220V, 380V, 450V) and colored according to their feeding. Different execution styles (wall mounting, panel mounting, angled, straight, with box) are available like high protection degrees (IP 44 and IP 67) and different nominal currents (16A, 32A, 63A). All TEM CEE plugs and sockets are manufactured in compliance with the national and international regulations in force. With good quality component parts guarantee the safety.



MONTAJLAMA ÖLÇÜLERİ

IP 44	Amp.	V	h	Ref. Code		
						gr.
2P+E	16	110-130 ●	4	444.316.150	12	120
	16	200-250 ●	6	446.316.150	12	118.5
	32	200-250 ●	6	446.332.150	12	235
3P+E	16	380-415 ●	6	446.416.150	12	163
	16	380-415 ●	6	446.416.160	12	180
	32	380-415 ●	6	446.432.150	12	242
	63	380-415 ●	6	446.463.150	6	569
3P+N+E	16	380-415 ●	6	446.516.150	12	155
	32	380-415 ●	6	446.532.150	12	225
	63	380-415 ●	6	446.563.150	6	588

	Amp.	Ref. Code	A	B	C	D	E	F	G	H	I
2P+E	16	444.316.150	79.5	79.5	60	60	72	52.5	4.5	65	65
	16	446.316.150	79.5	79.5	60	60	72	52.5	4.5	65	65
	32	446.332.150	92	100.5	75	85	109	61	6	84	84
3P+E	16	446.416.150	79.5	79.5	57.5	57.5	90	58	5	70	70
	16	446.416.160	92	102	75	85	99.5	58	6	84	84
	32	446.432.150	92	102	75	85	99.5	58	6	84	84
	63	446.463.150	95	110	80	95	139	71	5	95	84
3P+N+E	16	446.516.150	79.5	79.5	60	60	70.5	48	4.5	57	57
	32	446.532.150	92	101	75	85	105	61	6	84	84
	63	446.563.150	95	110	80	95	139	71	5	95	84

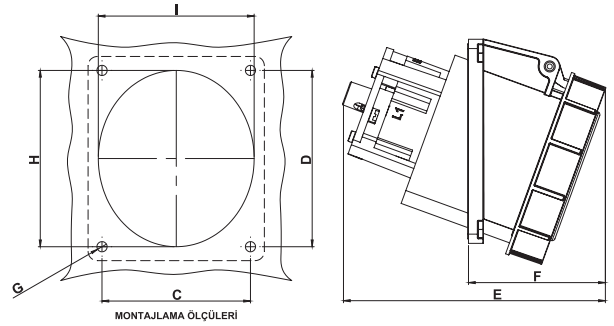
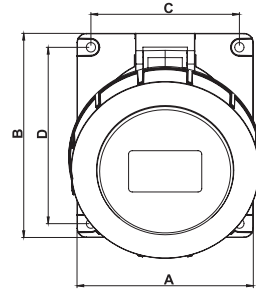
KİLİTLİ KAPAKLI PANO PRİZİ

panel mounting socket with locked cover

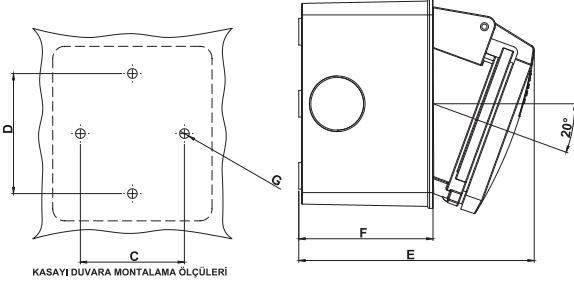
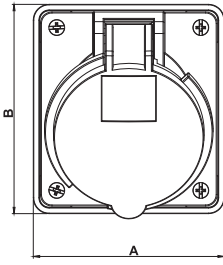
TEM®



IP 67	Amp.	V	h	Ref. Code		
						gr.
2P+E	32	200-250 ●	6	676.332.150	12	264
3P+E	16	380-415 ●	6	676.416.160	12	210
	32	380-415 ●	6	676.432.150	12	267
	63	380-415 ●	6	676.463.150	6	586
3P+N+E	16	380-415 ●	6	676.516.150	12	185
	32	380-415 ●	6	676.532.150	12	295
	63	380-415 ●	6	676.563.150	6	629



	Amp.	Ref. Code	A	B	C	D	E	F	G	H	I
2P+E	32	676.332.150	92	101	75	85	108	60	6	84	84
3P+E	16	676.416.160	79.5	79.5	57.5	57.5	87	57	5	70	70
	32	676.432.150	92	102	75	85	100.5	60	6	84	84
	63	676.463.150	95	110	80	95	142	74	5	95	84
3P+N+E	16	676.516.150	79.5	79.5	60	60	72.5	50	4.5	57	57
	32	676.532.150	92	101	75	85	103	60	6	84	84
	63	676.563.150	95	110	80	95	142	74	5	95	84



KASAYI DUVARA MONTALAMA ÖLÇÜLERİ

IP 44	Amp.	V	h	Ref. Code		
						gr.
2P+E	16	110-130 ●	4	444.316.151	12	184
	16	200-250 ●	6	446.316.151	12	181
	32	200-250 ●	6	446.332.151	6	347
3P+E	16	380-415 ●	6	446.416.151	12	226
	32	380-415 ●	6	446.432.151	6	357
3P+N+E	16	380-415 ●	6	446.516.151	12	218
	32	380-415 ●	6	446.532.151	6	369

	Amp.	Ref. Code	A	B	C	D	E	F	G
2P+E	16	444.316.151	86	86	55	55	94	45	6
	16	446.316.151	86	86	55	55	94	45	6
	32	446.332.151	99.5	109	64	75	122.5	70	6
3P+E	16	446.416.151	86	86	55	55	99	45	6
	32	446.432.151	99.5	109	65	75	121	70	6
3P+N+E	16	446.516.151	86	86	55	55	90.5	45	6
	32	446.532.151	99.5	109	65	75	122.5	70	6

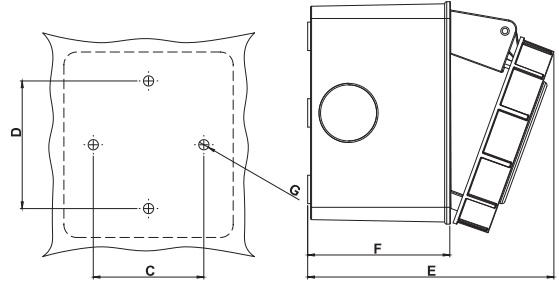
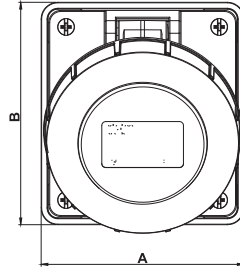
DİK KASALI KİLİTLİ KAPAKLI DUVAR PRİZİ

wall mounting socket with straight box and locked cover

TEM®

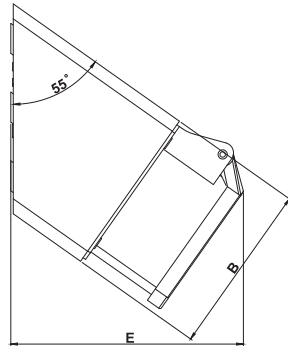
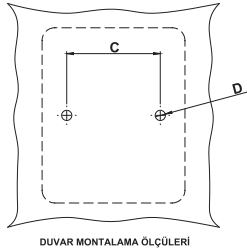
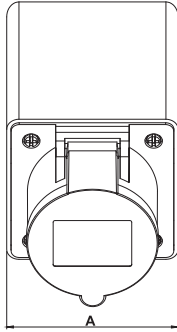


IP 67	Amp.	V	h	Ref. Code		
						gr.
2P+E	32	200-250 ●	6	676.332.151	6	378
3P+E	16	380-415 ●	6	676.416.161	6	324
	32	380-415 ●	6	676.432.151	6	381
3P+N+E	16	380-415 ●	6	676.516.151	12	248
	32	380-415 ●	6	676.532.151	6	410



KASAYI DUVARA MONTALAMA ÖLÇÜLERİ

	Amp.	Ref. Code	A	B	C	D	E	F	G
2P+E	32	676.332.151	99.5	109	64	75	122	70	6
3P+E	16	676.416.161	86	86	55	55	120	45	6
	32	676.432.151	99.5	109	65	75	122	70	6
3P+N+E	16	676.516.151	86	86	55	55	92.5	45	6
	32	676.532.151	99.5	109	65	75	120	70	6



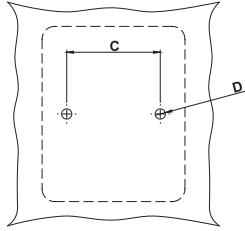
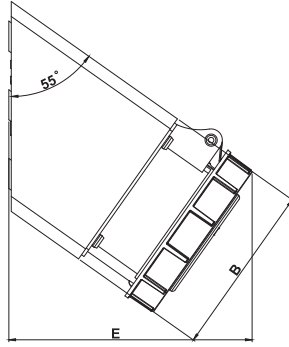
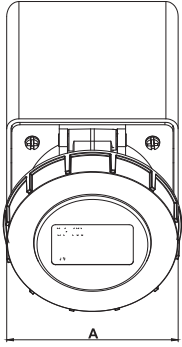
IP 44	Amp.	V	h	Ref. Code		
						gr.
2P+E	16	110-130 ●	4	444.316.152	12	243
	16	200-250 ●	6	446.316.152	12	240
3P+E	16	380-415 ●	6	446.416.152	12	285
3P+N+E	16	380-415 ●	6	446.516.152	12	276

	Amp.	Ref. Code	A	B	C	D	E
2P+E	16	444.316.152	84	84	55	6	120
	16	446.316.152	84	84	55	6	120
3P+E	16	446.416.152	84	84	55	6	125
3P+N+E	16	446.516.152	84	84	55	6	114

EĐİK KASALI KİLİTLİ KAPAKLI DUVAR PRİZİ

wall mounting socket with angled box and locked cover

TEM®

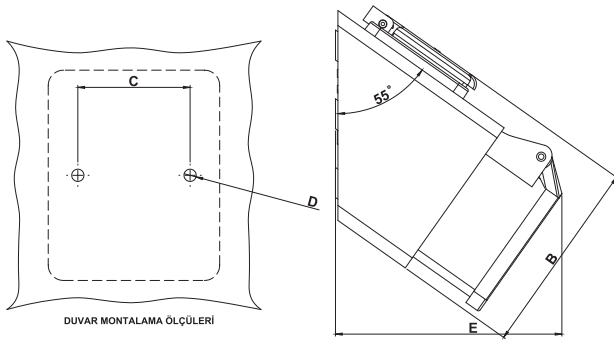
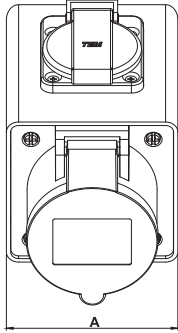
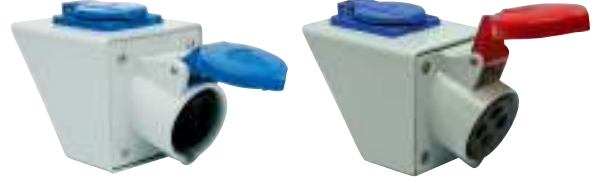


DUVAR MONTALAMA ÖLÇÜLERİ



IP 67	Amp.	V	h	Ref. Code		
3P+N+E	16	380-415 ●	6	676.516.152	12	307

	Amp.	Ref. Code	A	B	C	D	E
3P+N+E	16	676.516.152	84	84	55	6	120



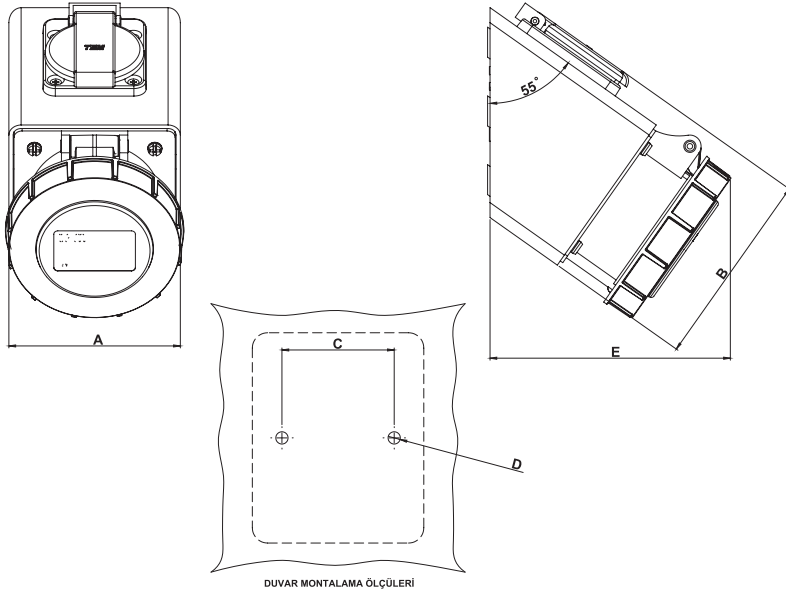
IP 44	Amp.	V	h	Ref. Code		
						gr.
2P+E	16	200-250 ●	6	446.316.153	12	278
3P+E	16	380-415 ●	6	446.416.153	12	323
3P+N+E	16	380-415 ●	6	446.516.153	12	314

	Amp.	Ref. Code	A	B	C	D	E
2P+E	16	446.316.153	84	96	55	6	120
3P+E	16	446.416.153	84	96	55	6	125
3P+N+E	16	446.516.153	84	96	55	6	114

EĞİK KASALI KİLİTLİ KAPAKLI DUVAR PRİZİ + SCHUKO

wall mounting socket with angled box and locked cover + schuko

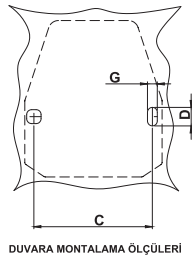
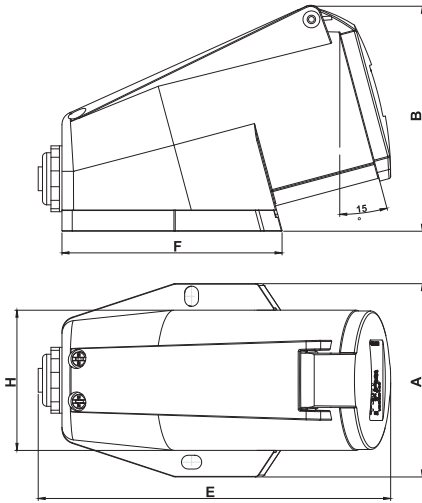
TEM[®]



DUVAR MONTALAMA ÖLÇÜLERİ

IP 67	Amp.	V	h	Ref. Code	gr.
3P+N+E	16	380-415 ●	6	676.516.153	12 346

Amp.	Ref. Code	A	B	C	D	E
3P+N+E	16	676.516.153	84	96	55	6 114



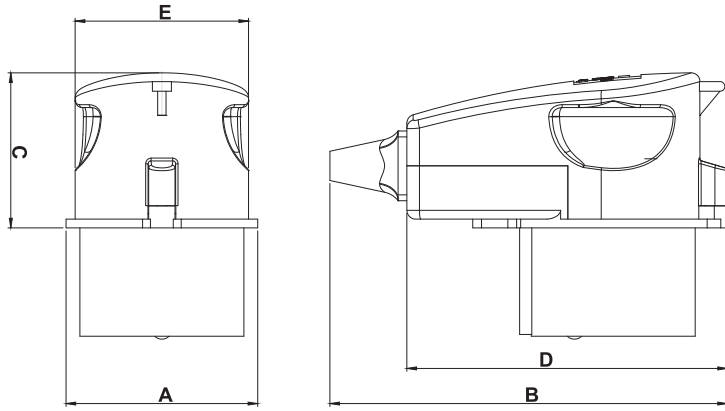
DUVARA MONTALAMA ÖLÇÜLERİ



IP 44	Amp.	V	h	Ref. Code		
						gr.
2P+E	32	200-250 ●	6	446.332.400	12	299
3P+E	32	380-415 ●	6	446.432.400	12	307
3P+N+E	16	380-415 ●	6	446.516.400	12	214

	Amp.	Ref. Code	A	B	C	D	E	F	G	H
2P+E	32	446.332.400	91	106	78	12	166	103	7	66
3P+E	32	446.432.400	91	106	78	12	166	103	7	66
3P+N+E	16	446.516.400	88	87	72	6	132	114	6	62

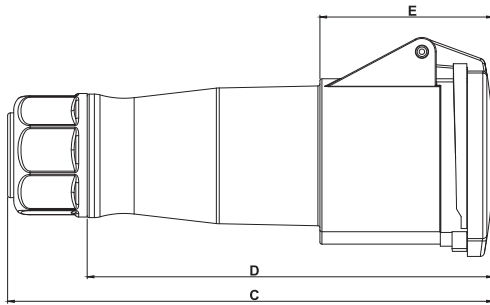
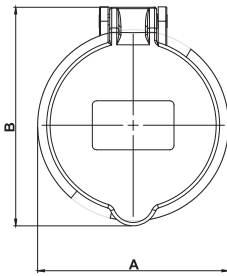
EĞİK FİŞ
angled plug












TEM[®]



IP 44						
	Amp.	V	h	Ref. Code		gr.
3P+N+E	16	380-415 ●	6	446.516.320	12	185

	Amp.	Ref. Code	A	B	C	D	E
3P+N+E	16	446.516.320	65.5	136	53	109.5	59



IP 44	Amp.	V	h	Ref. Code		
						gr.
2P+E	16	110-130 	4	444.316.200	12	124
	16	200-250 	6	446.316.200	12	127
	32	200-250 	6	446.332.200	12	244
3P+E	16	380-415 	6	446.416.200	12	181
	32	380-415 	6	446.432.200	12	256
	63	380-415 	6	446.463.200	6	625
3P+N+E	16	380-415 	6	446.516.200	12	192
	32	380-415 	6	446.532.200	12	300
	63	380-415 	6	446.563.200	6	671

	Amp.	Ref. Code	A	B	C	D	E
2P+E	16	444.316.200	52	69	152.5	116	51
	16	446.316.200	52	69	152.5	116	51
	32	446.332.200	65	88	233	159	64
3P+E	16	446.416.200	69	85.5	167	128	53
	32	446.432.200	65	88	233	159	64
	63	446.463.200	94	107	238	200	85
3P+N+E	16	446.516.200	65	82.5	166.5	127	48
	32	446.532.200	73	97	230	154	64
	63	446.563.200	94	107	238	200	85

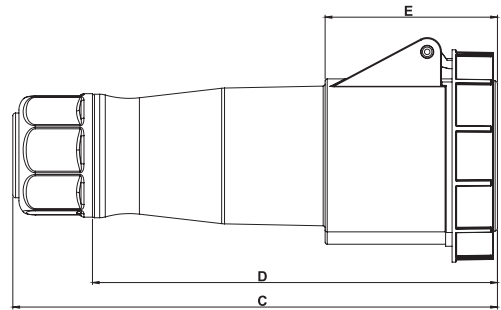
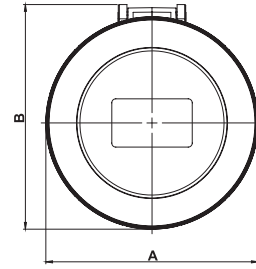
KİLİTLİ KAPAKLI SEYYAR PRİZ

connector with locked cover

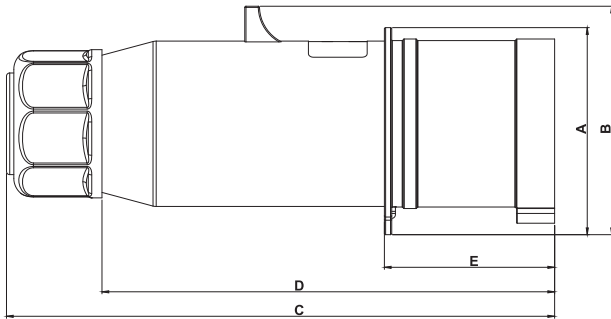
TEM®



IP 44						
	Amp.	V	h	Ref. Code		gr.
3P+E	16	380-415 ●	6	676.416.200	12	195
IP 67						
3P+E	63	380-415 ●	6	676.463.200	6	665
3P+N+E	63	380-415 ●	6	676.563.200	6	714



	Amp.	Ref. Code	A	B	C	D	E
3P+E	16	676.416.200	80	88.5	164	125	50
3P+E	63	676.463.200	104	110	237	198	84
3P+N+E	63	676.563.200	104	110	237	198	84



IP 44	Amp.	V	h	Ref. Code		
						gr.
2P+E	16	110-130	4	444.316.300	12	106
	16	200-250	6	446.316.300	12	106
	32	200-250	6	446.332.300	12	208
3P+E	16	380-415	6	446.416.300	12	141
	32	380-415	6	446.432.300	12	227
	63	380-415	6	446.463.300	6	495
3P+N+E	16	380-415	6	446.516.300	12	155
	32	380-415	6	446.532.300	12	250
	63	380-415	6	446.563.300	6	537

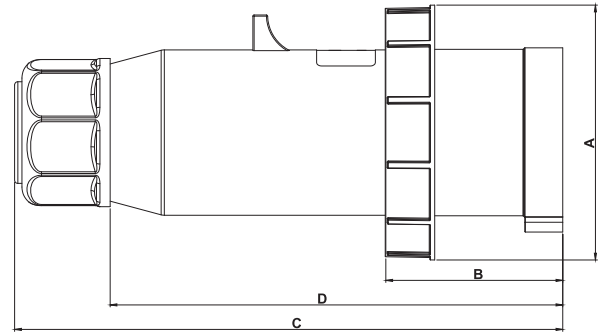
	Amp.	Ref. Code	A	B	C	D	E
2P+E	16	444.316.300	50	57.5	143.5	107	39
	16	446.316.300	50	57.5	143.5	107	39
	32	446.332.300	70.5	79	215	141	49
3P+E	16	446.416.300	58.5	65	158.5	119	39
	32	446.432.300	70.5	79	215	141	52
	63	446.463.300	78.5	93	224	185	69.5
3P+N+E	16	446.516.300	63	71	156.5	117	39
	32	446.532.300	76.5	82.5	217	141	50
	63	446.563.300	78.5	93	224	185	69.5

KİLİTLİ FİŞ

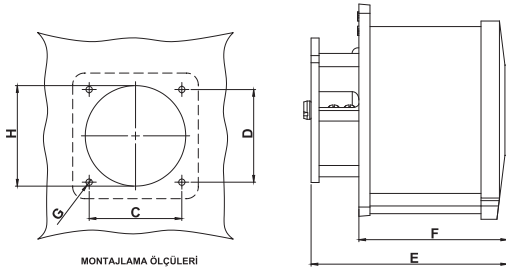
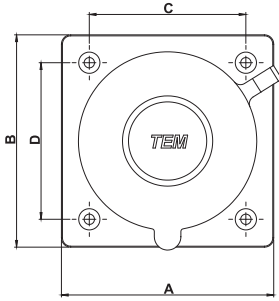
plug with lock



IP 44						
	Amp.	V	h	Ref. Code		gr.
2P+E	32	200-250 ●	6	676.332.300	12	237
3P+E	16	380-415 ●	6	676.416.300	12	161
	32	380-415 ●	6	676.432.300	12	256
3P+N+E	16	380-415 ●	6	676.516.300	12	158
	32	380-415 ●	6	676.532.300	12	280
IP 67						
3P+E	63	380-415 ●	6	676.463.300	6	530
3P+N+E	63	380-415 ●	6	676.563.300	6	573



	Amp.	Ref. Code	A	B	C	D
2P+E	32	676.332.300	90.5	51.5	215	141
3P+E	16	676.416.300	80	42.5	158.5	119
	32	676.432.300	90.5	54.5	215	141
	63	676.463.300	104	72	224	185
3P+N+E	16	676.516.300	87.5	41.5	156.5	117
	32	676.532.300	97	53	218	141
	63	676.563.300	104	72	224	185



IP 44	Amp.	V	h	Ref. Code		
						gr.
3P+E	32	380-415 ●	6	446.432.330	12	149
3P+N+E	16	380-415 ●	6	446.516.330	12	115
	32	380-415 ●	6	446.532.330	12	174

	Amp.	Ref. Code	A	B	C	D	E	F	G	H
3P+E	32	446.432.330	80	80	59	59	71.5	53.5	4	64
3P+N+E	16	446.516.330	80	80	59	59	57.5	40	4	64
	32	446.532.330	80	80	59	59	74	56	4	64

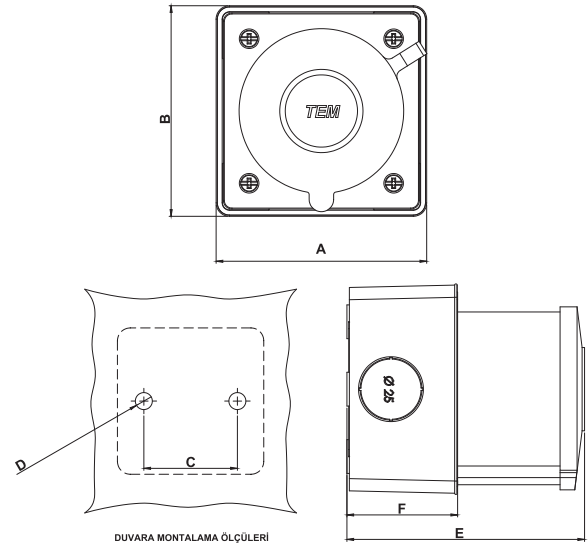
DİK KASALI MAKİNE FİŞİ

wall mounting inlet with straight box

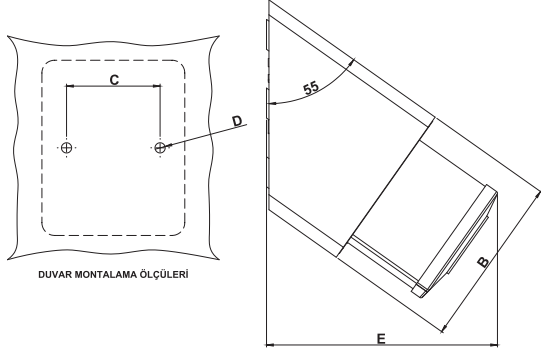
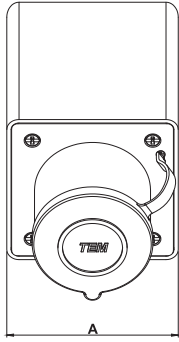
TEM®



IP 44						
	Amp.	V	h	Ref. Code		gr.
3P+E	32	380-415 ●	6	446.432.331	12	212
3P+N+E	16	380-415 ●	6	446.516.331	12	178
	32	380-415 ●	6	446.532.331	12	235



	Amp.	Ref. Code	A	B	C	D	E	F
3P+E	32	446.432.331	86	86	55	10	94.5	45
3P+N+E	16	446.516.331	86	86	55	10	85	45
	32	446.532.331	86	86	55	10	97	45



IP 44	Amp.	V	h	Ref. Code		
						gr.
3P+E	32	380-415 ●	6	446.432.332	12	270
3P+N+E	16	380-415 ●	6	446.516.332	12	237
	32	380-415 ●	6	446.532.332	12	295

	Amp.	Ref. Code	A	B	C	D	E
3P+E	32	446.432.332	84	84	55	6	113
3P+N+E	16	446.516.332	84	84	55	6	105.5
	32	446.532.332	84	84	55	6	118

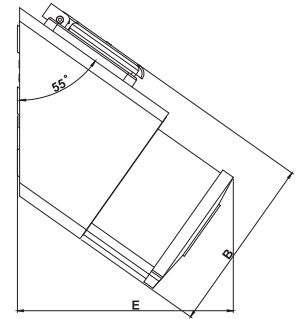
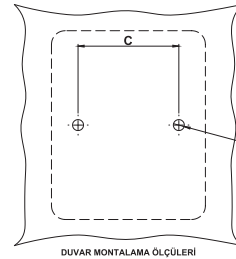
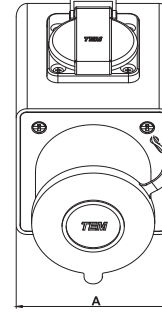
EĞİK KASALI MAKİNE FİŞİ + SCHUKO

wall mounting inlet with angled box + schuko

TEM[®]



IP 44	Amp.	V	h	Ref. Code		
3P+E	32	380-415 ●	6	446.432.333	12	309
3P+N+E	16	380-415 ●	6	446.516.333	12	275
	32	380-415 ●	6	446.532.333	12	334



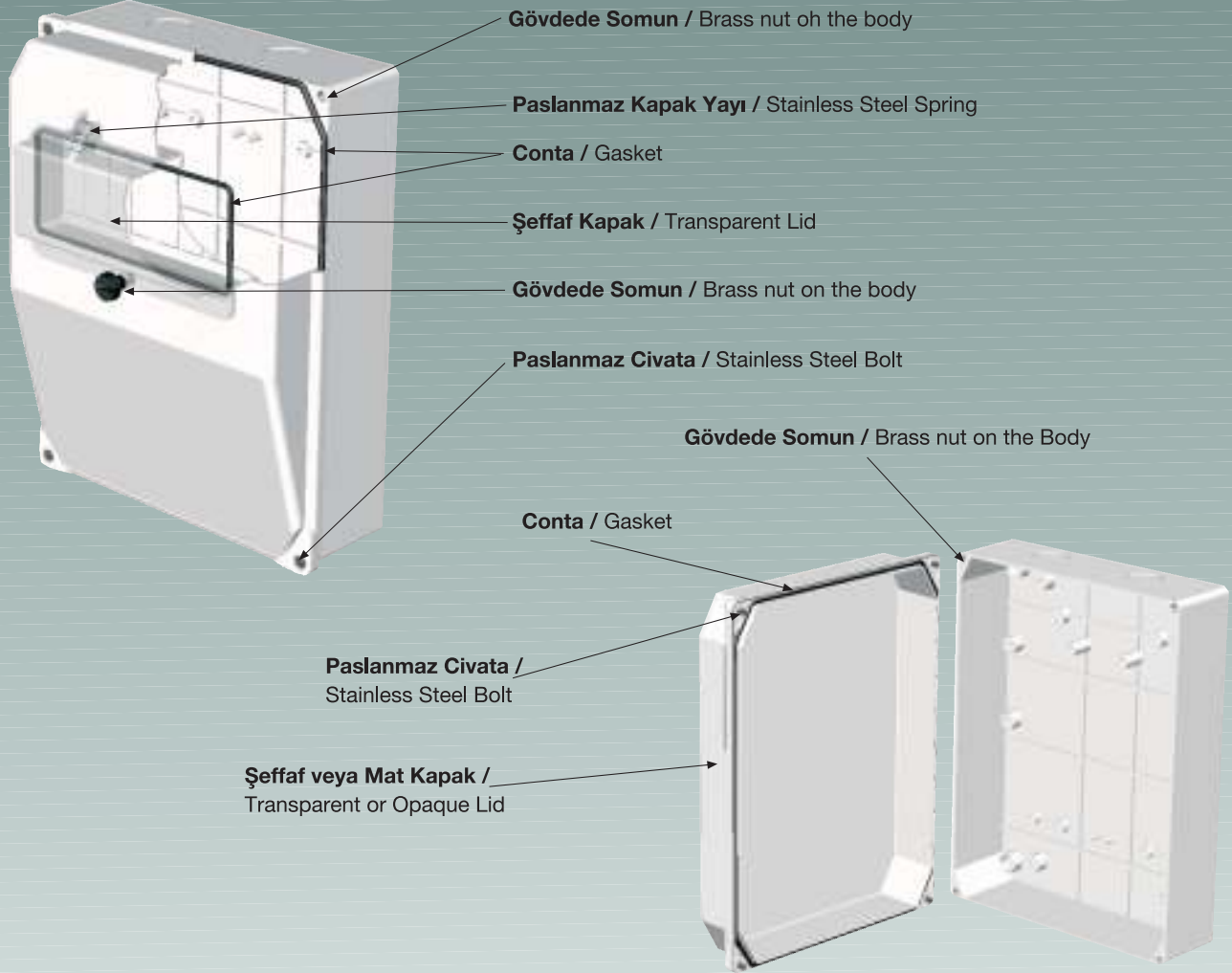
DUVAR MONTAJI ÖLÇÜLERİ

	Amp.	Ref. Code	A	B	C	D	E
3P+E	32	446.432.333	84	96	55	6	113
3P+N+E	16	446.516.333	84	96	55	6	105.5
	32	446.532.333	84	96	55	6	118

TEM®



KOMBINASYON KUTULARI
combination boxes



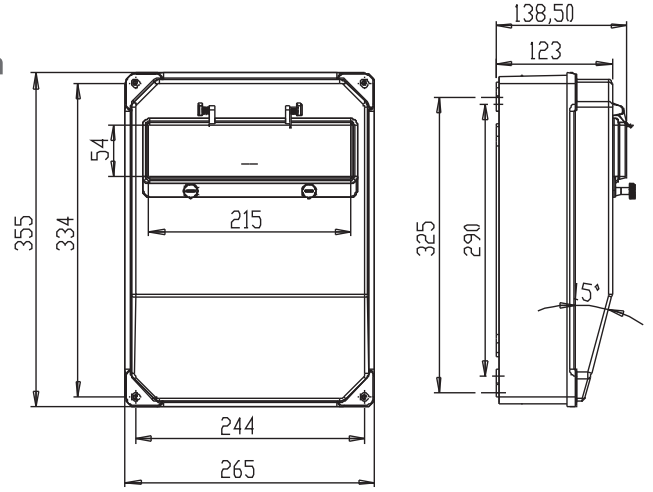
Ref. Code	Boyutlar dimension			Kalınlık thickness	☐	🏠	IP	Kurulum Sıcaklığı installation temperature		Isıya Dayanım Seviyesi heat resistance level	Standards
	mm	mm	mm					max	min		
451	260	350	115	2 - 3	1	1275	67	-25 °C	+60 °C	V2	IEC 60309-1 IEC 60695-2-1
452	210	280	100	2,5 - 3	1	840	67				
453	113	210	90	2 - 2,5	3	340	64				
454	113	210	70	2 - 2,5	6	305	44				
455	210	280	100	2 - 3	1	670	67				

Çeşitli CEE Norm ve Schuko prizlerin takılabildiği 5 boy kombinasyon kutumuz mevcuttur. Plastikten yapılan kutularımızın IP değerleri modeline göre değişir. Sigorta bölümünün kapağı şeffaftır ve yayı paslanmaz çelikten imal edilir. Gövdede somun ve paslanmaz cıvata özellikleri ile kalitesini korur. İsteğe göre uyarlanması mümkündür.

Five different series of combination box chassis is available for several CEE Norm and Schuko sockets. IP protection according to the models. The cover for the MCB part is transparent ve it's spring is from stainless steel. Brass nut on the body and stainless bold is the specialities that protect it's quality. Customizing is available on request.



451.0012.0000.000
260 x 350 x 115 mm
IP 67



451.0000.4160.042
4(4x16A) CEE IP44
2(1x16A) Schuko IP44



451.0000.4161.046
4(4x16A) CEE IP67
6(1x16A) Schuko IP44



451.5160.5320.222
2(5x16A) CEE IP44
2(5x32A) CEE IP44
2(1x16A) Schuko IP44



451.3321.5321.226
2(3x32A) CEE IP67
2(5x32A) CEE IP67
6(1x16A) Schuko IP44



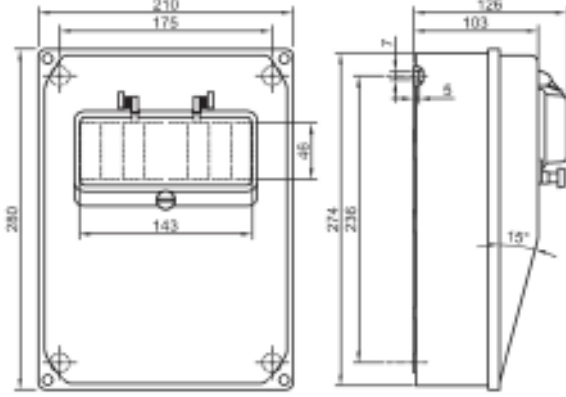
451.0000.5321.044
4(5x32A) CEE IP67
4(1x16A) Schuko IP44



451 ÖZEL
2 x Switch
2(5x16A) CEE IP67
6(1x16A) Schuko IP44

21x28 KOMBİNASYON KUTULARI 21x28 combination boxes

TEM®



452.0008.0000.000
210 x 280 x 100 mm
IP 67



452.0000.4160.012
1(4x16A) CEE IP44
2(1x16A) Schuko IP44



452.4321.5321.110
1(5x32A) CEE IP67
1(4x32A) CEE IP67



452.0000.5321.014
1(5x32A) CEE IP67
4(1x16A) Schuko IP44



452.0000.5160.022
2(5x16A) CEE IP44
2(1x16A) Schuko IP44



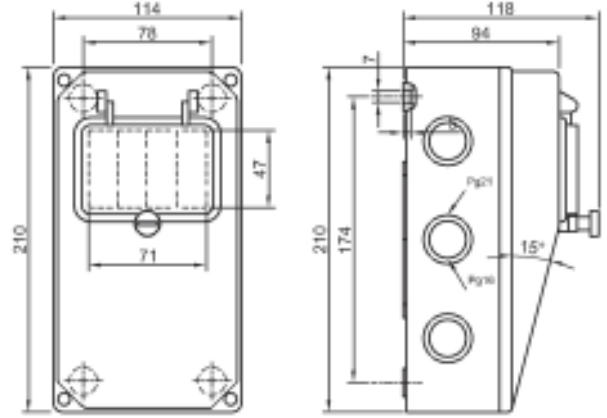
452.0000.4320.022
2(4x32A) CEE IP44
2(1x16A) Schuko IP44



452 ÖZEL
2 x Switch



453.0004.0000.000
113 x 210 x 90 mm
IP64



453.0000.2160.002
2(1x16A) Schuko IP44



453.0000.5160.011
1(5x16A) CEE IP44
1(1x16A) Schuko IP44



453.0000.4161.011
1(4x16A) CEE IP67
1(1x16A) Schuko IP44



453.0000.4320.012
1(4x32A) CEE IP44
2(1x16A) Schuko IP44



453.0000.5320.012
1(5x32A) CEE IP44
2(1x16A) Schuko IP44

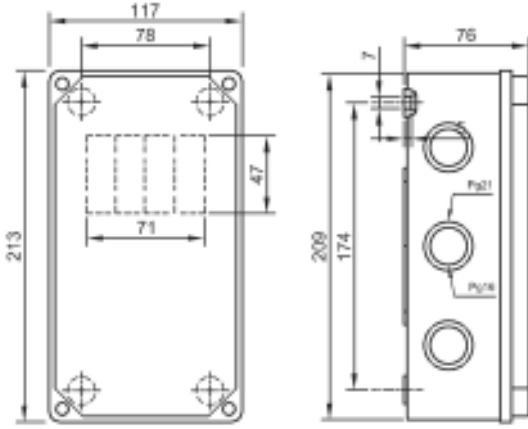


453 ÖZEL
1 x Switch

11x21 KAPAKSIZ KOMBİNASYON KUTULARI

11x21 coverless combination boxes

TEM®



454.0004.0000.000
113 x 210 x 70 mm



454.0000.3320.012
1(3x32A) CEE IP44
2(1x16A) Schuko IP44



454.0000.4160.012
1(4x16A) CEE IP44
2(1x16A) Schuko IP44



454.0000.4320.011
1(4x32A) CEE IP44
1(1x16A) Schuko IP44



454.0000.5160.010
1(5x16A) CEE IP44



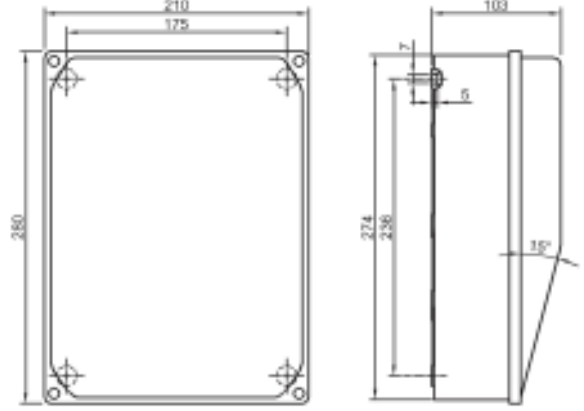
454.0000.5320.012
1(5x32A) CEE IP44
2(1x16A) Schuko IP44



454 ÖZEL
1 x Switch



455.0000.0000.000
210 x 280 x 100 mm
IP 67



455.0000.4321.040
4(4x32A) CEE IP67



455.0000.5161.040
4(5x16A) CEE IP67



455.4161.4321.224
2(4x16A) CEE IP67
2(4x32A) CEE IP67
4(1x16A) Schuko IP44



455.4161.5321.222
2(4x16A) CEE IP67
2(5x32A) CEE IP67
2(1x16A) Schuko IP44



455.4320.5160.220
2(4x32A) CEE IP44
2(5x16A) CEE IP44

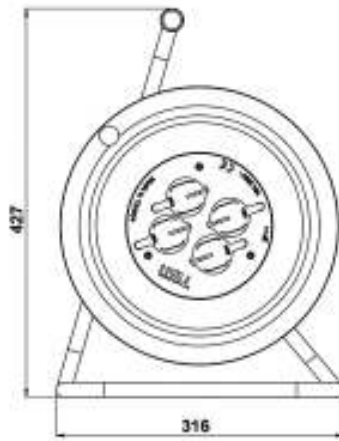




455 ÖZEL
2 x Switch
2(5x32A) CEE IP67

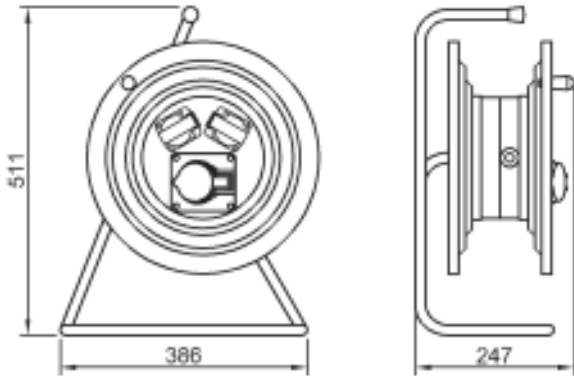
TEM®





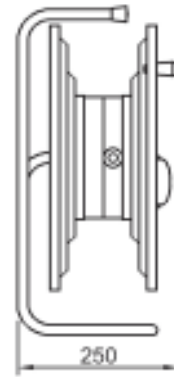
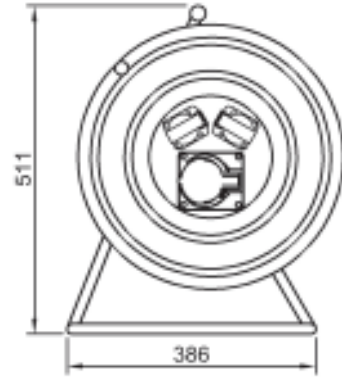
KABLO MAKARALARI
cable reels





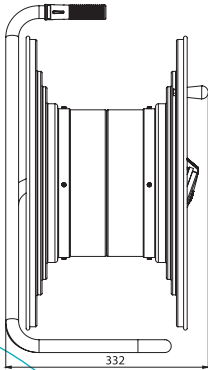
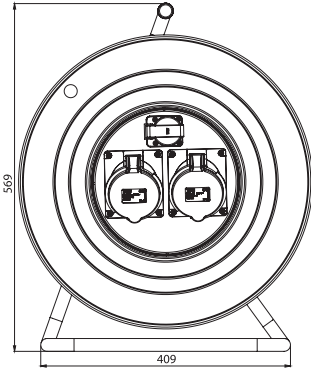
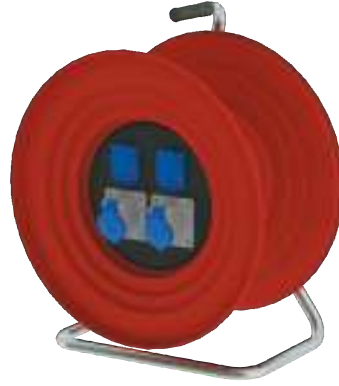
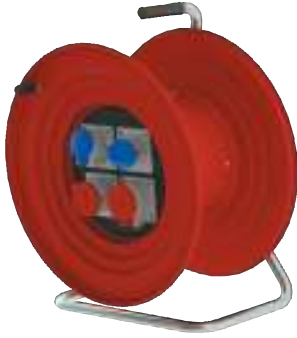
Ref. Code	Sockets	Kablo Kapasitesi Cable Capacity		
			1	gr.
100.000.004	4(1x16A) schuko	50 m	1	3370





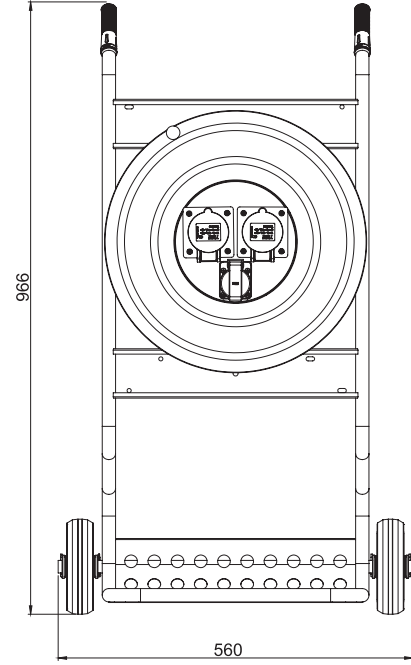
Ref. Code	Sockets	Kablo Kapasitesi Cable Capacity		 gr.
120.000.004	4(1x16A) schuko	100 m	1	3275
120.416.012	1(4x16A) CEE 2(1x16A) schuko	50 m	1	3370
120.425.012	1(4x25A) 2(1x16A) schuko	50 m	1	3370




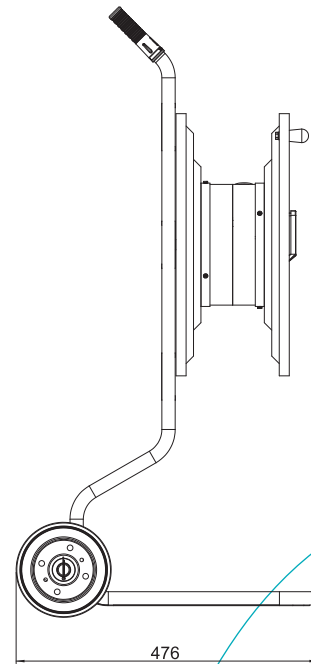
Ref. Code	Sockets	Kablo Kapasitesi Cable Capacity			gr.
130.425.012	1(4x25A) 2(1x16A) schuko	100 m	1		3798
130.425.021	2(4x25A) 1(1x16A) schuko	100 m	1		3910
130.432.012	1(4x32A) CEE 2(1x16A) schuko	100 m	1		3883
130.516.012	1(5x16A) CEE 2(1x16A) schuko	100 m	1		3709
130.516.021	2(5x16A) CEE 1(1x16A) schuko	100 m	1		3910



Ref. Code	Sockets	Kablo Kapasitesi Cable Capacity		 gr.
140.416.022	2(4x16A) CEE 2(1x16A) schuko	100 m	1	5155
140.516.022	2(5x16A) CEE 2(1x16A) schuko	100 m	1	5280
140.432.022	2(4x32A) CEE 2(1x16A) schuko	100 m	1	5583
140.532.022	2(5x32A) CEE 2(1x16A) schuko	100 m	1	5730



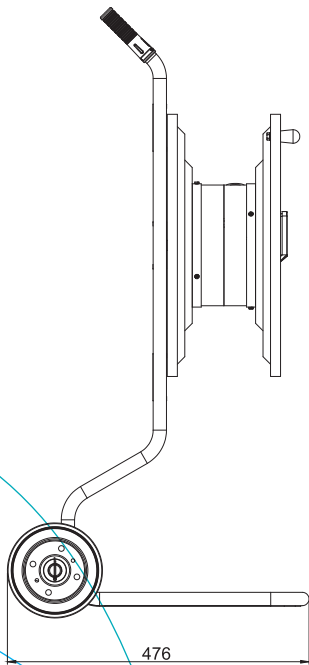
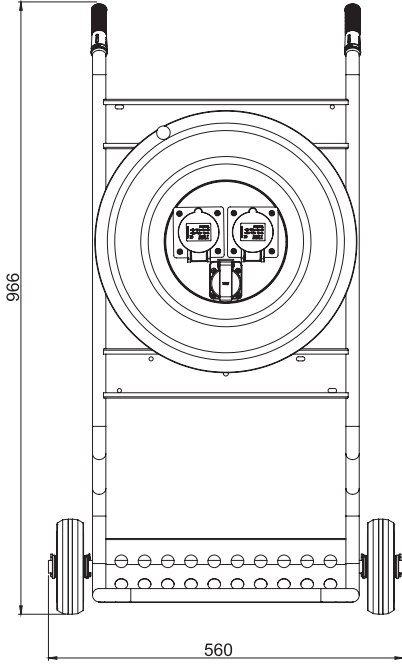
Ref. Code	Sockets	Kablo Kapasitesi Cable Capacity	
101.000.004	4(1x16A) schuko	100 m	1
121.416.012	1(4x16A) CEE 2(1x16A) schuko	100 m	1
121.425.012	1(4x25A) 2(1x16A) schuko	100 m	1
121.516.012	1(5x16A) CEE 2(1x16A) schuko	100 m	1
121.432.012	1(4x32A) CEE 2(1x16A) schuko	100 m	1
121.532.012	1(5x32A) CEE 2(1x16A) schuko	100 m	1
131.416.021	2(4x16A) CEE 1(1x16A) schuko	100 m	1
131.425.021	2(4x25A) 1(1x16A) schuko	100 m	1
131.516.021	2(5x16A) CEE 1(1x16A) schuko	100 m	1
131.432.012	1(4x32A) CEE 2(1x16A) schuko	100 m	1
131.532.012	1(5x32A) CEE 2(1x16A) schuko	100 m	1
141.416.022	2(4x16A) CEE 2(1x16A) schuko	100 m	1
141.516.022	2(5x16A) CEE 2(1x16A) schuko	100 m	1
141.432.022	2(4x32A) CEE 2(1x16A) schuko	100 m	1
141.532.022	2(5x32A) CEE 2(1x16A) schuko	100 m	1

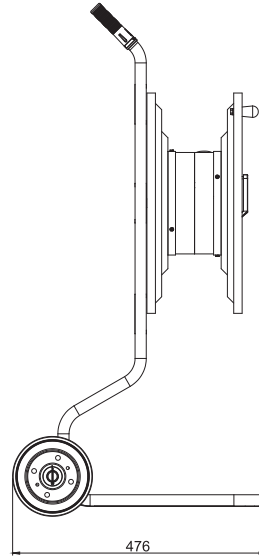
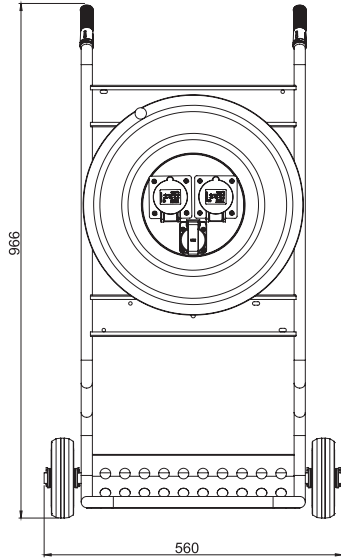


ARABALI KOMBİNASYONLU MAKARALAR

cabie reels with car & combination box

TEM[®]





KABLO KESİTİNE GÖRE MAKARALARIN KAPASİTESİ (m)

MAKARA CİNSİ	KABLO KESİTİ	100.XXX	120.XXX	130.XXX	140.XXX
3 x 1.5	TTR	50	100	120	180
3 x 2.5	TTR	40	75	100	140
3 x 4	TTR	30	60	75	125
4 x 1.5	TTR		80	100	170
4 x 2.5	TTR		65	80	130
4 x 4	TTR		45	55	100
5 x 1.5	TTR		75	100	135
5 x 2.5	TTR		50	70	110
5 x 4	TTR		40	50	90

TEM®



DAĞITIM PANOLARI
distribution boards



Kilit Sistemi
lock system

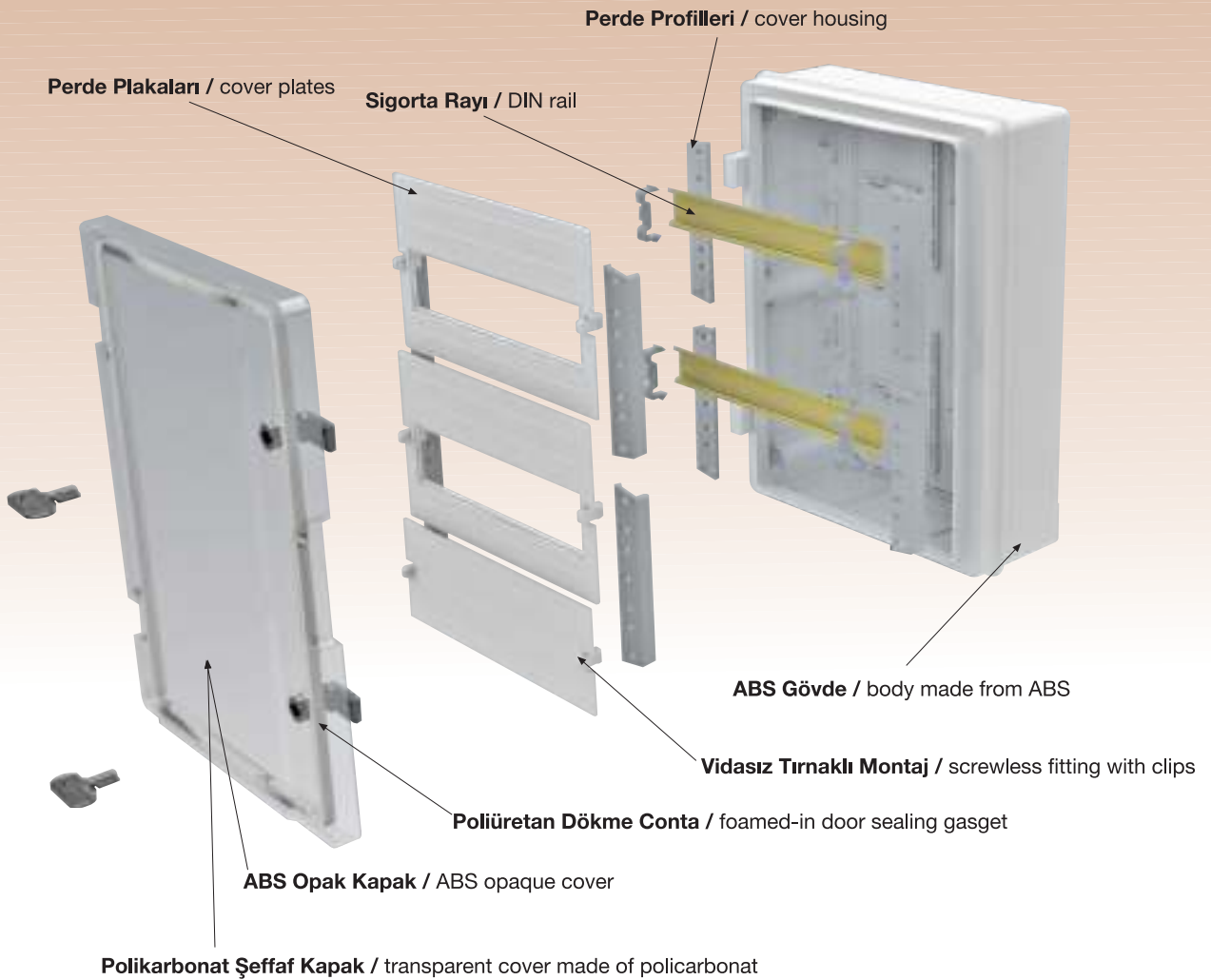


Metal Kilit Opsiyonu
available with metal lock



Montaj Plakasız Kullanım için Bağlantı Noktaları /
connection points for use without mounting plate

Galvanizli Sac Montaj Plakası
mounting plates made of zinc plated steel



Perde Profilleri / cover housing

Perde Plakaları / cover plates

Sigorta Rayı / DIN rail

ABS Gövde / body made from ABS

Vidasız Tırnaklı Montaj / screwless fitting with clips

Poliüretan Dökme Conta / foamed-in door sealing gasket

ABS Opak Kapak / ABS opaque cover

Polikarbonat Şeffaf Kapak / transparent cover made of polycarbonat



Askı ayağı yatay veya dikey montaj
hanger with horizontal and vertical options



Montaj plakası takma kolaylığı
easiness of mounting plate fitting



Gövdede somun
brass nut on the body



Poliüretan dökme conta
foamed-in door sealing gasget

TEM PANO ÖZELLİKLERİ / TEM PANO specifications

- **Metal panolara göre hafif oluşu sebebiyle taşıma ve montaj kolaylığı**
Ease of carrying and fitting due to his lightness comparing to metal enclosures
- **Sağa veya sola 210 ° açılabilir kapak**
Cover can be opened 210 ° to left and right
- **Geniş ağız açıklığı**
Wide mouth opening
- **Kullanım sıcaklığı -25 - +60 °C**
Temperature of use : -25 - +60 °C
- **Kolayca temizlenebilir**
Can be easily cleaned
- **Sac panolara göre daha kolay delinebilir ve delince boyası bozulmaz, paslanma oluşmaz**
Compared to Metal Enclosures it is easier to drill. Once drilled, paint is not damaged and corrosion does not occur.
- **Elektrik kaçığına karşı doğal izolasyonlu**
Naturally insulated against electric leakage
- **IP65**

TEM PANO BOYUTLARI / TEM PANO sizes

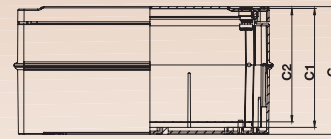
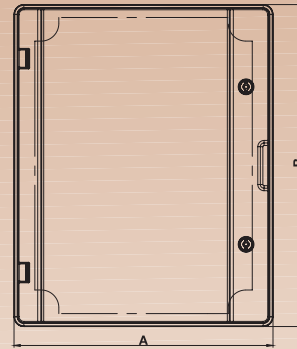
21 x 30 x 13 cm
26 x 35 x 15 cm
30 x 40 x 13 cm
30 x 40 x 17 cm
40 x 50 x 20 cm
40 x 60 x 20 cm
50 x 70 x 25 cm

TEM PANO ÇEŞİTLERİ / TEM PANO types

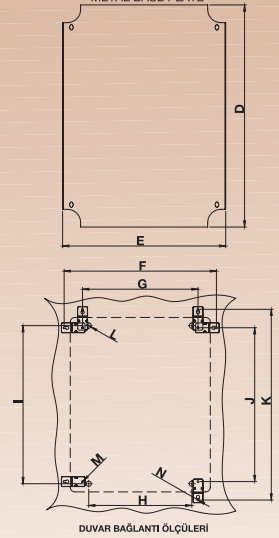
910	TABAN SAÇLI DAĞITIM PANOLARI distribution board with metal mounting plate
920	OTOMATİK SİGORTA İÇİN PERDELİ DAĞITIM PANOLARI distribution board with plate for MCB
922	PERDELİ+KOMPAKT ŞALTERLİ DAĞITIM PANOLARI distribution board with plate for compact switch
930	MONOFAZE SAYAÇ İÇİN PERDELİ DAĞITIM PANOLARI distribution board with plate for single phase energy meter
935	TRİFAZE SAYAÇ İÇİN PERDELİ DAĞITIM PANOLARI distribution board with plate for three phase energy meter
936	TRİFAZE SAYAÇ VE OTOMATİK SİGORTA İÇİN PERDELİ DAĞITIM PANOLARI distribution board with plate for three phase energy meter and MCB
950	BOŞ PANO empty distribution board
951	HARİCİ TELEFON DAĞITIM PANOLARI-ÇATILI with module mounting frame
952	HARİCİ TELEFON DAĞITIM PANOLARI-ÇATI+REGLETLİ with connection-disconnection module
960	SULAMA PANOLARI distribution board for water pump
965	ŞANTİYE PANOLARI distribution board for construction site



C1	Izgara Üst - Pano Kapak Alt Arası Mesafe distance between the mounting grills and the metal plate
C2	Pano Sac Üst - Pano Kapak Alt Arası Mesafe distance between the cover and the metal plate
Montajlama Sırasında Referans Alınacak Ölçüler dimensions to be considered during the mounting	
Ayaklarla dik bağlanacak ise vertical mounting with hangers	G - K - N
Ayaklarla yatay bağlanacak ise horizontal mounting with hangers	F - J - N
Gövde somunlarıyla bağlanacak ise mounting with nuts on the body	G - J - M
İçinden duvara bağlanacak ise mounting from the inside to the wall	H - I - L



PANO İÇİ TABAN SACI
METAL BASE PLATE



DUVAR BAĞLANTI ÖLÇÜLERİ

IP65	Ref. Code Opak Kapak opaque cover	Ref. Code Şeffaf Kapak transparent cover	A	B	C	C1	C2	D	E	F	G	H	I	J	K	L	M	N
21x30x13 cm	910.2130.131.000	910.2130.132.000	221	311	137	124.5	123.5	270	174.5	253.5	146	118	261	248.5	355.5	15	M5	2.5
26x35x15 cm	910.2635.151.000	910.2635.152.000	265	355	152	138.5	130	315	227	305	198	198	318	291	398	15	M5	2.5
30x40x13 cm	910.3040.131.000	910.3040.132.000	310	410	132	118	116.5	360	245	343	236	200	360	347.5	456	15	M5	2.5
30x40x17 cm	910.3040.171.000	910.3040.172.000	310	410	170	157	150.5	360	245	343	236	200	360	347.5	456	15	M5	2.5
40x50x20 cm	910.4050.201.000	910.4050.202.000	410	510	202	188.5	180	470	345	442	336	300	460	447.5	555	15	M5	2.5
40x60x20 cm	910.4060.201.000	910.4060.202.000	410	610	202	189	179	564	375	442	336	300	560	550	657	15	M5	2.5
50x70x25 cm	910.5070.251.000	910.5070.252.000	511	711	253.5	239.5	230.5	660	472	547	440	410	660	650	757	15	M5	2.5

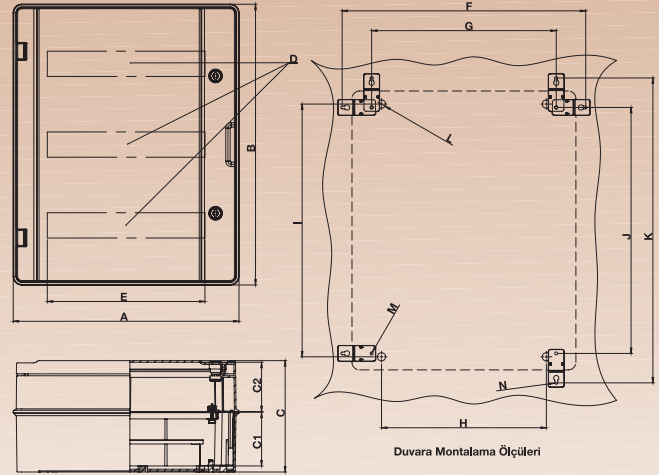
OTOMATİK SİGORTA İÇİN PERDELİ DAĞITIM PANOLARI

distribution board with plate for MCB

TEM®



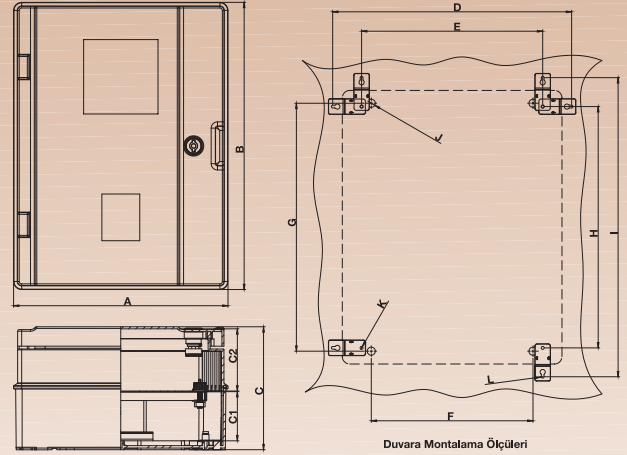
C1	Izgara Üst - Pano Sac Alt Arası Mesafe distance between the mounting grills and the cover plate
C2	Pano Sac Üst - Pano Kapak Alt Arası Mesafe distance between the cover and the cover plate
D	Sigorta Sıra Sayısı number of line for MCBs
E	Sıranın Sigorta Kapasitesi capacity of MCBs per line
O	Toplam Sigorta Kapasitesi total capacity for MCBs
Montajlama Sırasında Referans Alınacak Ölçüler dimensions to be considered during the mounting	
Ayaklarla dik bağlanacak ise vertical mounting with hangers	G - K - N
Ayaklarla yatay bağlanacak ise horizontal mounting with hangers	F - J - N
Gövde somunlarıyla bağlanacak ise mounting with nuts on the body	G - J - M
İçinden duvara bağlanacak ise mounting from the inside to the wall	H - I - L



IP65	Boyutlar dimensions	Ref. Code Opak Kapak opaque cover	Ref. Code Şeffaf Kapak transparent cover	A	B	C	C1	C2	D	E	F	G	H	I	J	K	L	M	N	O
	21x30x13 cm	920.2130.131.016	920.2130.132.016	221	311	137	72	51.5	2	8	253.5	146	118	261	248.5	355.5	15	M5	2.5	16
	26x35x15 cm	920.2635.151.018	920.2635.152.018	265	355	152	47	86	2	9	305	198	198	318	291	398	15	M5	2.5	18
	30x40x13 cm	920.3040.131.024	920.3040.132.024	310	410	132	70	44	2	12	343	236	200	360	347.5	456	15	M5	2.5	24
	30x40x17 cm	920.3040.171.024	920.3040.172.024	310	410	170	70	83	2	12	343	236	200	360	347.5	456	15	M5	2.5	24
	40x50x20 cm	920.4050.201.048	920.4050.202.048	410	510	202	98	90	3	16	442	336	300	460	447.5	555	15	M5	2.5	48
	40x60x20 cm	920.4060.201.064	920.4060.202.064	410	610	202	98	90	4	16	442	336	300	560	550	657	15	M5	2.5	64
	50x70x25 cm	920.5070.251.100	920.5070.252.100	511	711	254	98	141	5	20	547	440	410	660	650	757	15	M5	2.5	100



C1	Izgara Üst - Sayac Trifaze Sacı Alt Arası Mesafe distance between the mounting grills and the cover plate
C2	Sayac Monofaze Sacı Alt - Pano Kapak Alt Arası Mesafe distance between the cover and the cover plate
M	Toplam Sigorta Kapasitesi total capacity for MCBs
Montajlama Sırasında Referans Alınacak Ölçüler dimensions to be considered during the mounting	
Ayaklarla dik bağlanacak ise vertical mounting with hangers	E - I - L
Ayaklarla yatay bağlanacak ise horizontal mounting with hangers	D - H - L
Gövde somunlarıyla bağlanacak ise mounting with nuts on the body	E - H - K
İçinden duvara bağlanacak ise mounting from the inside to the wall	G - F - J



IP65		Ref. Code	Ref. Code	A	B	C	C1	C2	D	E	F	G	H	I	J	K	L	M
Boyutlar	Opak Kapak	Opak Kapak	Şeffaf Kapak															
dimensions	opaque cover	opaque cover	transparent cover															
21x30x13 cm	930.2130.131.003	930.2130.131.003	930.2130.132.003	221	311	137	72	51.5	253.5	146	118	261	248.5	355.5	15	M5	2.5	3
26x35x15 cm	930.2635.151.003	930.2635.151.003	930.2635.152.003	265	355	152	61	77	305	198	198	318	291	398	15	M5	2.5	4
30x40x13 cm	931.3040.131.015	931.3040.131.015	931.3040.132.015	310	410	132	70	44	343	236	200	360	347.5	456	15	M5	2.5	15
30x40x17 cm	931.3040.171.015	931.3040.171.015	931.3040.172.015	310	410	170	70	66	343	236	200	360	347.5	456	15	M5	2.5	15

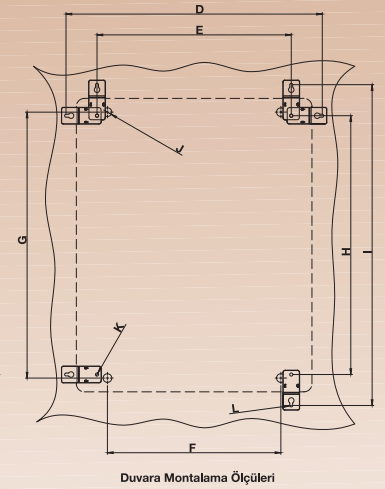
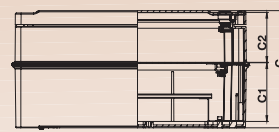
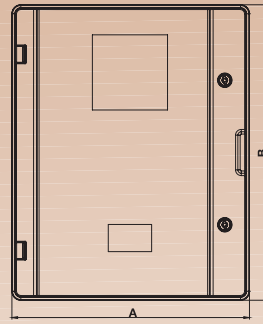
TRİFAZE SAYAÇ İÇİN PERDELİ DAĞITIM PANOLARI

distribution board with plate for three phase energy meter

TEM®



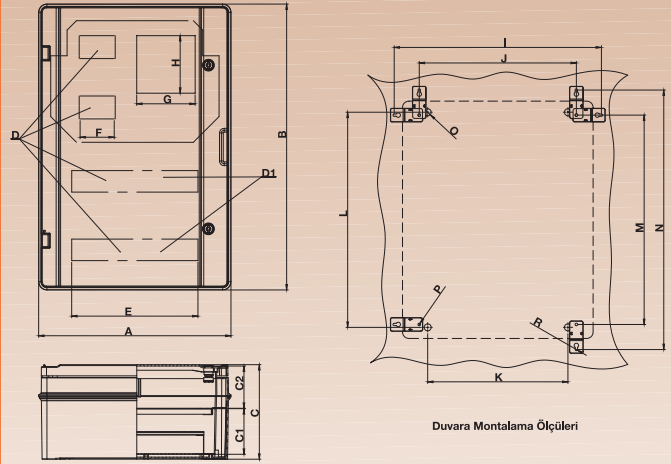
C1	Izgara Üst - Sayac Trifaze Sacı Alt Arası Mesafe distance between the mounting grills and the metal plate
C2	Sayac Monofaze Sacı Alt - Pano Kapak Alt Arası Mesafe distance between the cover and the metal plate
M	Toplam Sigorta Kapasitesi total capacity for MCBs
Montajlama Sırasında Referans Alınacak Ölçüler dimensions to be considered during the mounting	
Ayaklarla dik bağlanacak ise vertical mounting with hangers	E - I - L
Ayaklarla yatay bağlanacak ise horizontal mounting with hangers	D - H - L
Gövde somunlarıyla bağlanacak ise mounting with nuts on the body	E - H - K
İçinden duvara bağlanacak ise mounting from the inside to the wall	G - F - J



IP65	Ref. Code Opak Kapak opaque cover	Ref. Code Şeffaf Kapak transparent cover	A	B	C	C1	C2	D	E	F	G	H	I	J	K	L	M
30x40x13 cm	935.3040131.008	935.3040132.008	310	410	132	70	43	343	236	200	360	348	456	15	M5	2.5	8
30x40x17 cm	935.3040171.008	935.3040172.008	310	410	170	70	66	343	236	200	360	348	456	15	M5	2.5	8
40x50x20 cm	935.4050201.008	935.4050202.008	410	510	202	98	90	442	336	300	460	448	555	15	M5	2.5	8
40x60x20 cm	935.4060201.008	935.4060202.008	410	610	202	98	90	442	336	300	560	550	657	15	M5	2.5	8
50x70x25 cm	935.5070251.008	935.5070252.008	511	711	253.5	98	140	547	440	410	660	650	757	15	M5	2.5	8



D	Sigorta Sıra Sayısı - 1 number of lines for MCB - 1
D1	Sigorta Sıra Sayısı - 2 number of lines for MCB - 2
E	Sıranın Sigorta Kapasitesi MCB capacity of the line
F	Sıranın Sigorta Kapasitesi MCB capacity of the line
C1	Izgara Üst - Sayac Trifaze Sacı Alt Arası Mesafe distance between the mounting grills and the cover plate
C2	Sayac Trifaze Sacı Alt - Pano Kapak Alt Arası Mesafe distance between the cover and the cover plate
S	Toplam Sigorta Kapasitesi total capacity for MCBs
Montajlama Sırasında Referans Alınacak Ölçüler dimensions to be considered during the mounting	
Ayaklarla dik bağlanacak ise vertical mounting with hangers	J - N - R
Ayaklarla yatay bağlanacak ise horizontal mounting with hangers	I - M - R
Gövde somunlarıyla bağlanacak ise mounting with nuts on the body	J - M - P
İçinden duvara bağlanacak ise mounting from the inside to the wall	K - L - O



Duvara Montajlama Ölçüleri

IP65	Ref. Code Opak Kapak opaque cover	Ref. Code Şeffaf Kapak transparent cover	A	B	C	C1	C2	D	D1	E	F	G	H	I	J	K	L	M	N	O	P	R	S
40x50x20 cm	936.4050201.024	936.4050202.024	410	510	202	98	90	3	1	16	4	125	123	442	336	300	460	447.5	555	15	M5	2.5	24
40x60x20 cm	936.4060201.040	936.4060202.040	410	610	202	98	90	4	2	16	4	125	123	442	336	300	560	550	657	15	M5	2.5	40
50x70x25 cm	936.5070251.068	936.5070252.068	511	711	254	98	140	5	3	20	4	125	123	547	440	410	660	650	757	15	M5	2.5	68

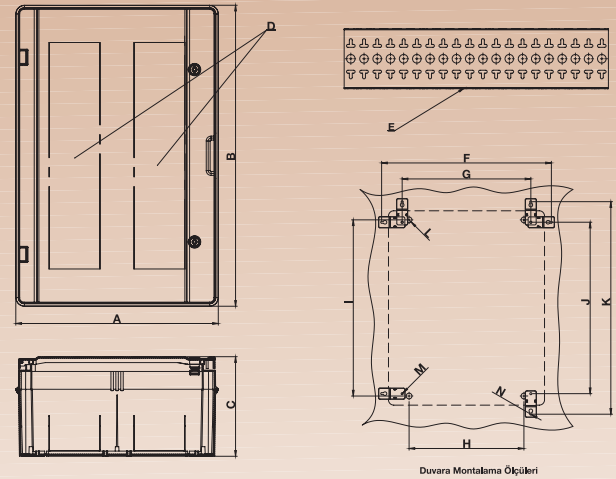
HARİCİ TELEFON DAĞITIM PANOLARI

outdoor distribution board for telephone modules

TEM®



C1	Izgara Üst - Pano Sac Alt Arası Mesafe distance between the mounting grills and the cover plate
C2	Pano Sac Üst - Pano Kapak Alt Arası Mesafe distance between the cover and the cover plate
D	Reglet Çatı Sayısı number of chassis for reglet
E	Toplam Reglet Kapasitesi total capacity of reglets
Montajlama Sırasında Referans Alınacak Ölçüler dimensions to be considered during the mounting	
Ayaklarla dik bağlanacak ise vertical mounting with hangers	G - K - N
Ayaklarla yatay bağlanacak ise horizontal mounting with hangers	F - J - N
Gövde somunlarıyla bağlanacak ise mounting with nuts on the body	G - J - M
İçinden duvara bağlanacak ise mounting from the inside to the wall	H - I - L

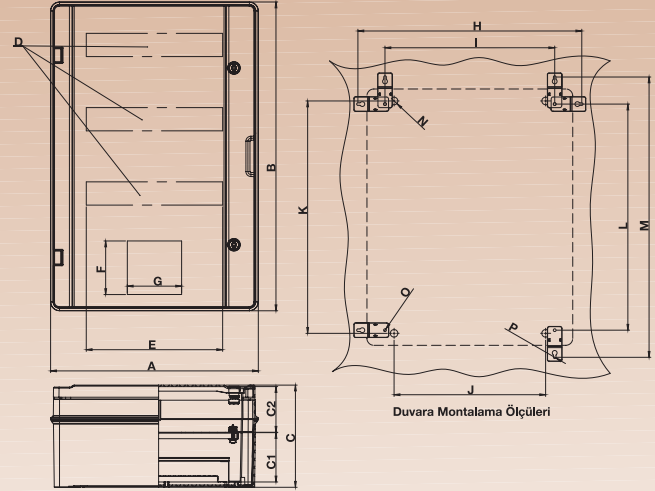


IP65																
Boyutlar dimensions	Ref. Code* Opak Kapak opaque cover	Ref. Code* Şeffaf Kapak transparent cover	A	B	C	D	E	F	G	H	I	J	K	L	M	N
21x30x13 cm	XXX.2130.131.030	XXX.2130.132.030	221	311	137	1	3	253.5	146	118	261	248.5	355.5	15	M5	2.5
26x35x15 cm	XXX.2635.151.050	XXX.2635.152.050	265	355	152	1	5	305	198	198	318	291	398	15	M5	2.5
30x40x13 cm	XXX.3040.131.100	XXX.3040.132.100	310	410	132	1	10	343	236	200	360	347.5	456	15	M5	2.5
30x40x17 cm	XXX.3040.171.100	XXX.3040.172.100	310	410	170	1	10	343	236	200	360	347.5	456	15	M5	2.5
40x50x20 cm	XXX.4050.201.150	XXX.4050.202.150	410	510	202	2	30	442	336	300	460	447.5	555	15	M5	2.5
40x50x20 cm	XXX.4050.201.200	XXX.4050.202.200	410	510	202	2	30	442	336	300	460	447.5	555	15	M5	2.5
40x50x20 cm	XXX.4050.201.300	XXX.4050.202.300	410	510	202	2	30	442	336	300	460	447.5	555	15	M5	2.5
40x60x20 cm	XXX.4060.201.400	XXX.4060.202.400	410	610	202	2	40	442	336	300	560	550	657	15	M5	2.5
50x70x25 cm	XXX.5070.251.500	XXX.5070.252.500	511	711	253.5	2	50	547	440	410	660	650	757	15	M5	2.5

*XXX = 950 BOŞ
951 ÇATILI
952 ÇATI+REGLETLİ



C1	Izgara Üst - Sayac Trifaze Sacı Alt Arası Mesafe distance between the mounting grills and the cover plate
C2	Sayac Trifaze Sacı Alt - Pano Kapak Alt Arası Mesafe distance between the cover and the cover plate
D	Sıra Sayısı number of line
E	Sıranın Sigorta Kapasitesi MCB capacity of the line
F	Salter Deliği Yüksekliği hole of switch height
G	Salter Deliği Genişliği hole of switch width
R	Toplam Sigorta Kapasitesi total capacity for MCBs
Montajlama Sırasında Referans Alınacak Ölçüler dimensions to be considered during the mounting	
Ayaklarla dik bağlanacak ise vertical mounting with hangers	I - M - P
Ayaklarla yatay bağlanacak ise horizontal mounting with hangers	H - L - P
Gövde somunlarıyla bağlanacak ise mounting with nuts on the body	I - L - O
İçinden duvara bağlanacak ise mounting from the inside to the wall	K - J - N



IP65																					
Boyutlar dimension	Ref. Code Opak Kapak opaque cover	Ref. Code Şeffaf Kapak transparent cover	A	B	C	C1	C2	D	E	F	G	H	I	J	K	L	M	N	O	P	R
40x50x20 cm	922.4050.201.032	922.4050.202.032	410	510	202	98	90	2	16	105	105	444	336	300	460	448	555	12	M5	2.5	32
40x60x20 cm	922.4060.201.048	922.4060.202.048	410	610	202	98	90	3	16	105	105	442	336	300	560	550	657	15	M5	2.5	48
50x70x25 cm	922.5070.251.060	922.5070.252.060	511	711	253.5	98	141	4	20	105	105	547	440	410	660	650	757	15	M5	2.5	80

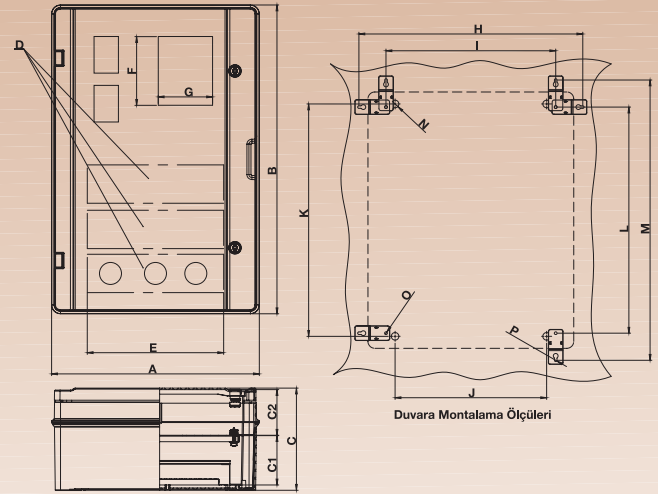
ŞANTIYE PANOLARI

distribution board for construction site

TEM®



C1	Izgara Üst - Sayac Trifaze Sacı Alt Arası Mesafe distance between the mounting grills and the cover plate
C2	Sayac Trifaze Sacı Alt - Pano Kapak Alt Arası Mesafe distance between the cover and the cover plate
D	Sıra Sayısı number of line
E	Sıranın Sigorta Kapasitesi MCB capacity of the line
F	Sayaç Deliği Yüksekliği hole of meter height
G	Sayaç Deliği Genişliği hole of meter width
Montajlama Sırasında Referans Alınacak Ölçüler dimensions to be considered during the mounting	
Ayaklarla dik bağlanacak ise vertical mounting with hangers	I - M - P
Ayaklarla yatay bağlanacak ise horizontal mounting with hangers	H - L - P
Gövde somunlarıyla bağlanacak ise mounting with nuts on the body	I - L - O
İçinden duvara bağlanacak ise mounting from the inside to the wall	K - J - N



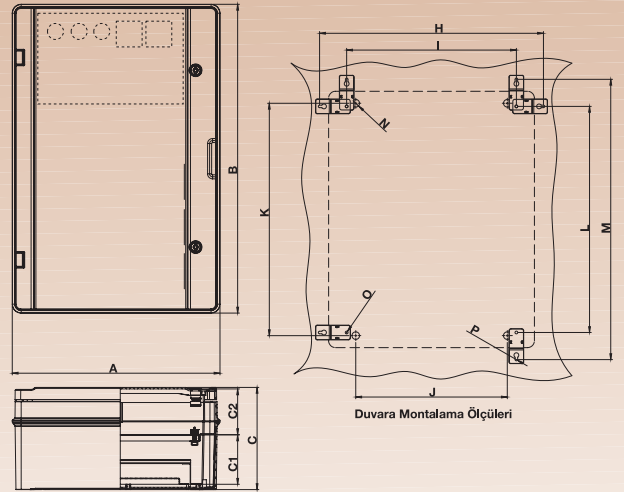
IP65	Ref. Code Opak Kapak opaque cover	Ref. Code Şeffaf Kapak transparent cover	A	B	C	C1	C2	D	E	F	G	H	I	J	K	L	M	N	O	P
40x60x20 cm	965.4060.201.016	965.4060.202.016	410	610	202	98	90	2	16	123	125	442	336	336	560	550	657	15	M5	2.5
50x70x25 cm	965.5070.251.040	965.5070.252.040	511	711	254	98	140	3	20	123	125	547	440	440	660	650	757	15	M5	2.5
50x70x25 cm	965.5070.251.020	965.5070.252.020	511	711	254	98	140	3	20	123	125	547	440	440	660	650	757	15	M5	2.5



C1	Izgara Üst - Sayac Trifaze Sacı Alt Arası Mesafe distance between the mounting grills and the cover plate
C2	Sayac Trifaze Sacı Alt - Pano Kapak Alt Arası Mesafe distance between the cover and the cover plate

Montajlama Sırasında Referans Alınacak Ölçüler dimensions to be considered during the mounting

Ayaklarla dik bağlanacak ise vertical mounting with hangers	I - M - P
Ayaklarla yatay bağlanacak ise horizontal mounting with hangers	H - L - P
Gövde somunlarıyla bağlanacak ise mounting with nuts on the body	I - L - O
İçinden duvara bağlanacak ise mounting from the inside to the wall	K - J - N



IP65																
Boyutlar dimensions	Ref. Code Opak Kapak opaque cover	Ref. Code Şeffaf Kapak transparent cover	A	B	C	C1	C2	H	I	J	K	L	M	N	O	P
40x50x20 cm	960.4050.201.000	960.4050.202.000	410	510	202	98	90	444	336	300	460	448	555	12	M5	2.5
40x60x20 cm	960.4060.201.000	960.4060.202.000	410	610	202	98	90	442	336	300	460	560	657	12	M5	2.5
50x70x25 cm	960.5070.251.000	960.5070.252.000	511	711	254	98	140	547	440	410	660	650	757	15	M5	2.5

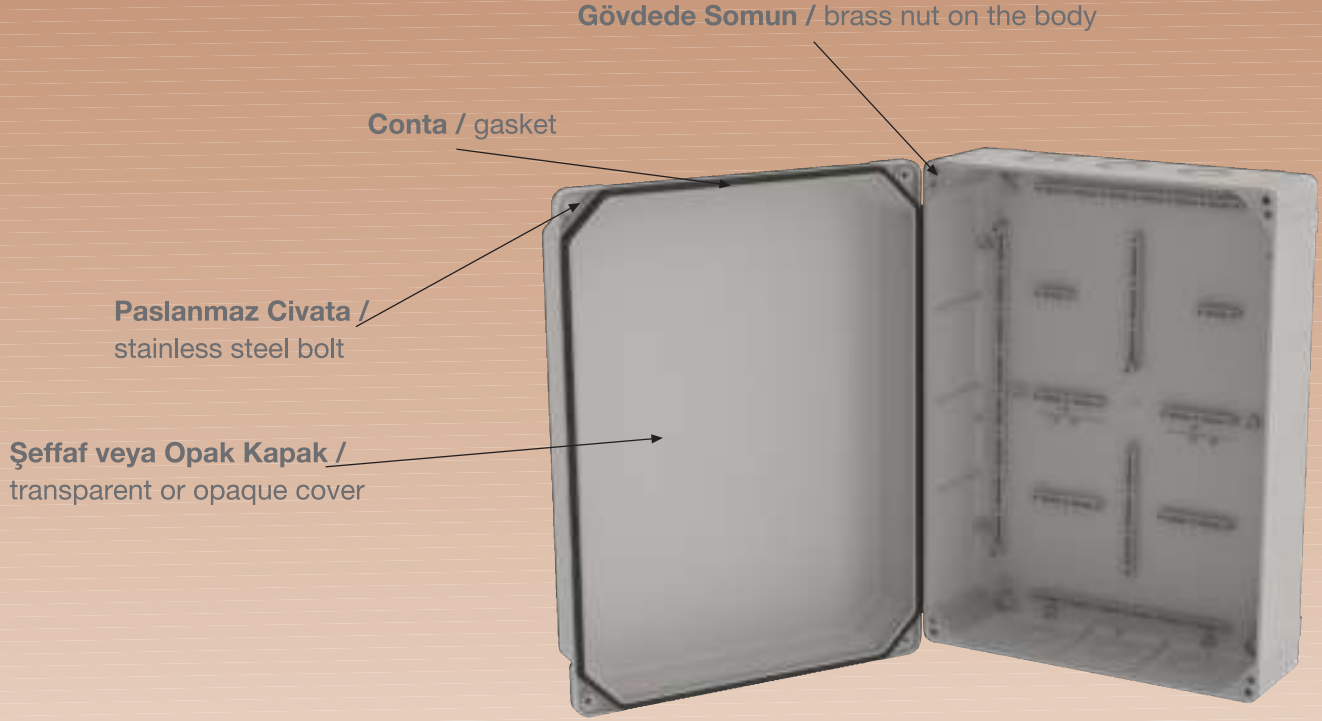
TEM®



TERMOPLASTİK BUATLAR
thermoplastic enclosures

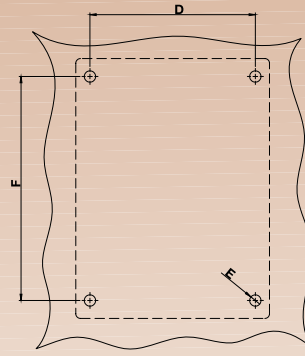
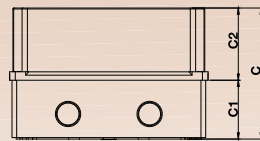
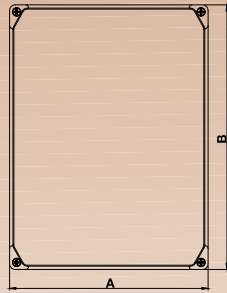


İç Boyutlar internal dimensions			IP	Ref. Code Opak Kapak opaque cover	Opak için for opaque		Ref. Code Şeffaf Kapak transp. cover	Şeffaf için for transp.		Kurulum Sıcaklığı installation temperature		Isıya Dayanım Seviyesi heat resistance level	Standards
mm					📏	📏 gr.		📏	📏 gr.	max	min		
80	80	40	54	380.041.100	24	71	-	-	-				
113	113	73	67	400.073.300	12	157	400.073.305	12	168				
113	210	73	67	400.073.400	6	272	400.073.405	6	276				
113	210	120	67	400.120.410	3	354	400.120.415	3	379				
130	245	140	67	400.140.120	2	458	400.140.125	2	490	-25 °C	+60 °C	V2	IEC 60309-1 IEC 60695-2-1
210	280	100	67	400.100.500	1	719	400.100.505	1	758				
210	280	135	67	400.135.600	1	861	400.135.605	1	895				
260	350	115	67	400.115.500	1	1102	400.115.505	1	1182				
260	350	155	67	400.155.600	1	1192	400.155.605	1	1287				



Termoplastik buatlarımız ABS ve polikarbonat (şeffaf kapaklar) malzemeden üretilir. Gövdede somun ve paslanmaz civata özellikleri kalitesini sağlar. Kutunun iç yapısı, taban sacına ihtiyaç duymadan montaja imkan verir. 9 farklı buat çeşidi ve şeffaf kapak seçeneği mevcuttur.

Our thermoplastic enclosures are made from ABS and polycarbonate (for the transparent covers) material. Brass nut on the body and bolt from stainless steel are the features that makes its quality. Interior of the box makes internal mounting possible without a mounting plate. Available in 9 different versions with the option of transparent cover.



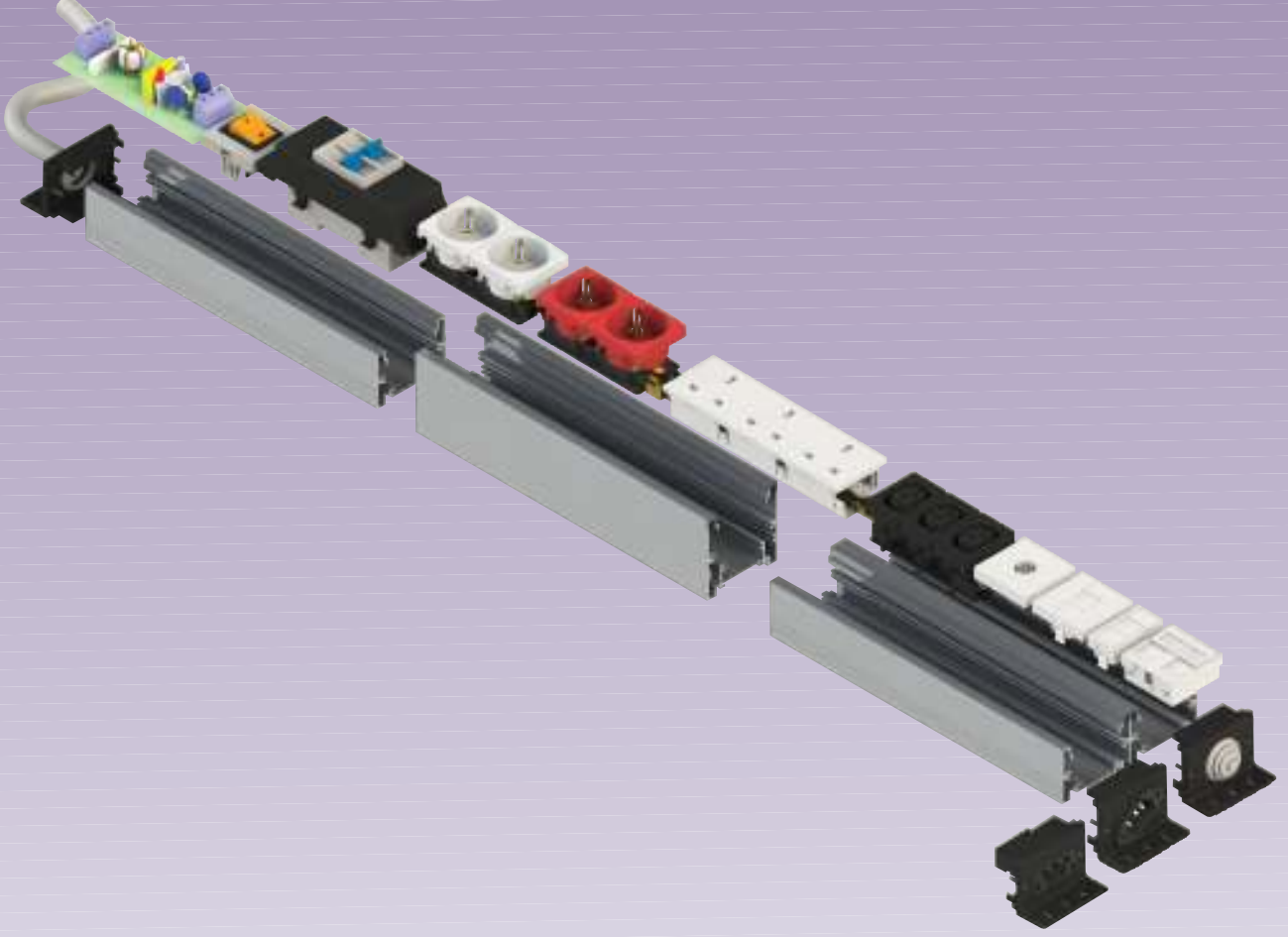
Duvara Montalama Ölçüleri

Ref. Code Opak Kapak opaque cover	Ref. Code Şeffaf Kapak transparent cover	Dış / external					İç / internal			Duvara Montaj wall mounting		
		A	B	C	C1	C2	A	B	C	D	E	F
380.041.100	-	88	88	46.5	40.5	6	80	80	42	55	10	-
400.073.300	400.073.305	117	117	76	58	18	108.5	108.5	70	78	12	78
400.073.400	400.073.405	117	213	76	58	18	108.5	205	70	78	12	174
400.120.410	400.120.415	117	213	125	55	70	108.5	205	120	78	12	174
400.140.120	400.140.125	130	245	140	60	80	121.5	246.5	135	100	12	215
400.100.500	400.100.505	210	280	103	62	41	200	270	97	175	12	237
400.135.600	400.135.605	210	280	138.5	62	76.5	200	270	129.5	175	12	237
400.115.500	400.115.505	265	355	123	74	48	253	343	115	198	12	318
400.155.600	400.155.605	265	355	158	74	83	253	343	150	198	12	318

TEM[®]



TEM PDU
TEM PDU



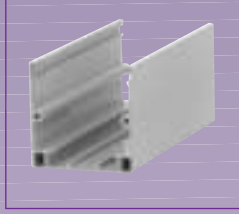
TEM PDU, alüminyum sağlam gövdesi, şık tasarımı ve modüler yapısı ile her alanda çözümler sunar. Çeşitli standartdaki prizleri ile elektrik, data, görüntü ve ses iletiminde güvenle kullanılır. Farklı profil seçenekleri, çeşitli koruma tipleri ve soket elemanları ile TEM PDU size özel tasarım imkanı sağlar.

With its solid housing from aluminium, elegant design and modulaire structure, TEM PDU presents solutions in every area. Can be used with confidence in electric, data, audio and video connections with its various kind of sockets. TEM PDU provides a customized design with its assorted housing types, various protection alternatives and connector modules.

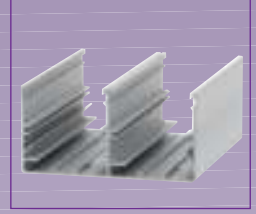
1U
TEKLİ
single



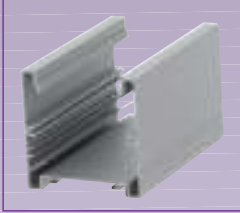
1U
PLASTİK TEKLİ
single plastic



2U
ÇİFTLİ
double



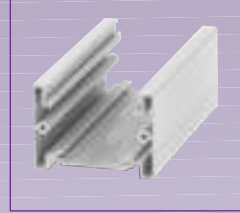
U62
TEKLİ DERİN
deep single



U42
TEKLİ
single



U42
PLASTİK TEKLİ
single plastic



W42
ÇİFTLİ
double



C62
DERİN KOLON
deep column



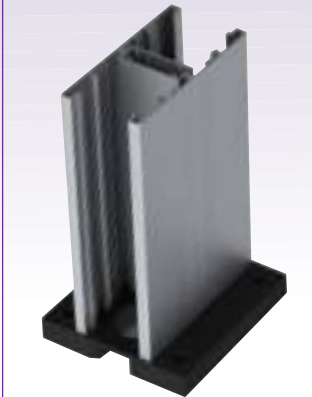
C42
TEKLİ KOLON
single column



CW42
ÇİFTLİ KOLON
double column



H62 DERİN KOLON
H deep column



H42 KOLON
H column



TEM PDU, değişik profil tipleriyle farklı isteklere en uygun şekilde cevap vermek üzere tasarlanmıştır. Çeşitli boylarda ve tiplerde, yatay ve dikey olabilen sağlam profil gövdesi sayesinde her türlü isteğe cevap verebilecek özel ürünler yaratılır.

with its various profile housings, TEM PDU is designed in order to respond properly to different kinds of demands. it is possible to create special products able to meet every demand thanks to its stable housing that can be in every length, type, vertical and horizontal.

U 42 İÇİN YAN KAPAKLAR / lateral covers for U42

SOKETLİ
with socket



VİDALI REKORLU U42
with screw gland U42



KİLİTLİ SOKETLİ
with locking socket



DELİKLİ
with hole



ÇİFT DELİKLİ U42
with double holes U42



REKOR DELİKLİ U42
with hole for gland U42



DÜZ KAPAK U42
closed cover U42



U 62 İÇİN YAN KAPAKLAR / lateral covers for U62

ÇİFT SOKETLİ
with double sockets



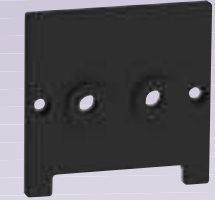
VİDALI REKORLU U62
with screw gland U62



ÇİFT KİLİTLİ SOKETLİ
with double locking sockets



ÇİFT DELİKLİ U62
with double holes U62



ÇOK DELİKLİ
with plural holes

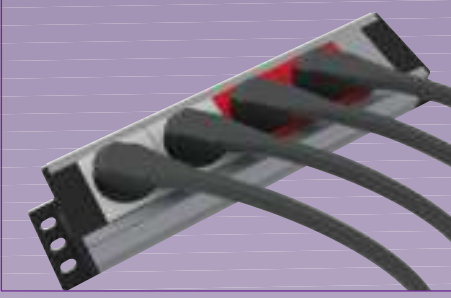


REKOR DELİKLİ U62
with hole for gland U62



DÜZ KAPAK U62
closed cover U62





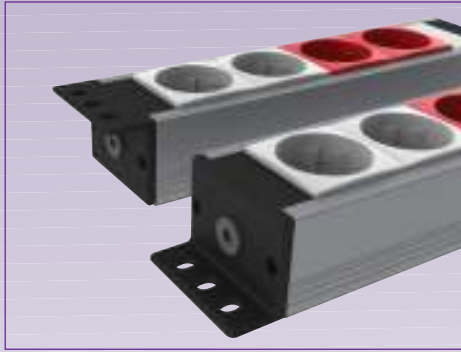
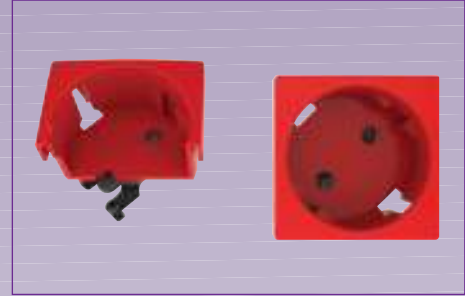
45° EĞİK KONUMDAKİ KUTUPLAR DAR ALANDA

DAHA ÇOK FİŞ BAĞLANTISI VE KULLANIM KOLAYLIĞI SAĞLAR

thanks to 45 inclined socket it provides more plug connections and ease-of-use

PRİZLERİMİZİN ÇOCUK KORUMA OPSİYONU MEVCUTTUR

socket also available with child protection



YAN KAPAKLARIN TERS YA DA DÜZ TAKILABİLMESİ,

19" KABİNETLERE YERLEŞİM KOLAYLIĞI SAĞLAR

option of installation in 19" cabinets with mounting bracket alternatives

FARKLI STANDARTLARDA KANAL ÜSTÜ PRİZLER MEVCUTTUR

sockets for trunkings in international standards are available.



PRİZ BAĞLANTISI BARA SİSTEMİ İLE YAPILMAKTADIR

connection of the plugs with busbar system



Kablolu
With Cable



Kablosuz
Cordless



Soketli
With Socket



Kilitli Soketli
With Locked Socket



Şebeke
German



UPS



İngiliz
British

Prizler
Socket

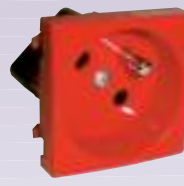
250V AC 16A

250V AC 16A

250V AC 13A



Amerikan
USA



Fransız
French



Universal
Universal

Prizler
Socket

250V AC 13A

250V AC 16A

250V AC 13A



IEC C13



IEC C14



IEC C19



IEC C20

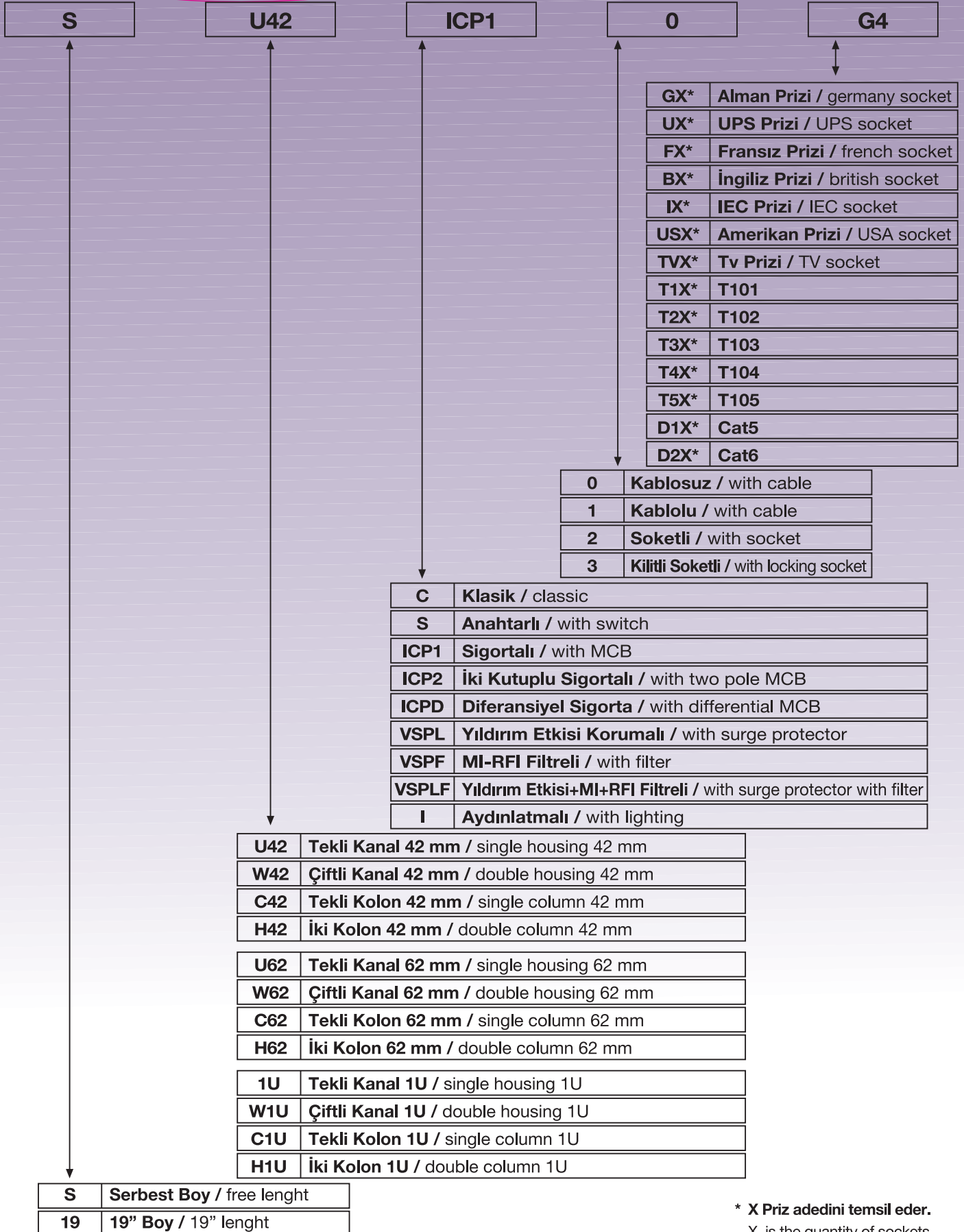
Prizler
Socket

250V AC 10A

250V AC 10A

250V AC 16A

250V AC 16A



* X Priz adedini temsil eder.
X is the quantity of sockets



Üzerinde Sigorta, Anahtar, Gerilim Koruma üniteleri bulunmaz.

Çeşitli priz tiplerinin kombinasyonu mümkündür.

Çocuk Koruma opsiyonu mevcuttur.

Only for connectors.

Combination of different connector types is available.

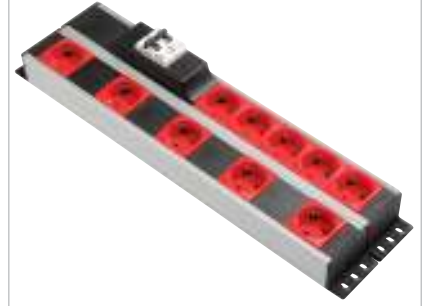
Child protection option is available.



Code SU42C0B7
7 pcs british socket



Code SU62C0U1T42HD1USB1
1 pcs ups socket
2 pcs T104
1 pcs HDMI
1 pcs USB



Code SW42ICP20G10
10 pcs german socket
2 pcs MCB



Code SH62C0G8T48HD2USB2
2x4 pcs german socket
2x4 pcs T104
2x1 pcs HDMI
2x1 pcs USB



Code SH62C0G4U8TV6
2x2 pcs german socket
2x4 pcs ups socket
2x3 pcs TV socket



Code SH62S0G6U6T36
2x3 pcs german socket
2x3 pcs ups socket
2x3 pcs T103
2x2 pcs 22.5mm switch

TEM PDU ANAHTARLI TEM PDU with switch

TEM®

Prizlerin yanında Anahtar bulunur.

Çeşitli priz tiplerinin kombinasyonu mümkündür.

Çocuk Koruma opsiyonu mevcuttur.

There is a switch controlling the connectors.

Combination of different connector types is available.

Child protection option is available.



Code SU42S0G6
1 pcs switch
6 pcs german socket



Code SU62S0U6
1 pcs switch
6 pcs ups socket



Code SW42S20B6I9
2 pcs switch
6 pcs british socket
9 pcs IEC socket



Code SU42S0I9
1 pcs switch
9 pcs IEC socket



Code SC42S0G2U2T41TV1
1 pcs switch
2 pcs german socket
2 pcs ups socket
1 pcs T104
1 pcs TV socket



Code SH62S20G6U4T42
2x1 pcs switch
2x3 pcs german socket
2x2 pcs ups socket
2x1 pcs T104

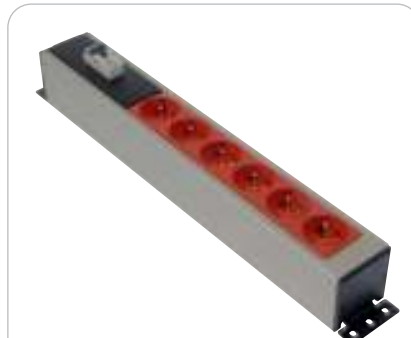


Prizlerin yanında Sigorta bulunur.
Çeşitli priz tiplerinin kombinasyonu mümkündür.
Çocuk Koruma opsiyonu mevcuttur.

There is an MCB protecting the connectors.
Combination of different connector types is available.
Child protection option is available.



Code SU42ICP10G6
1 pcs MCB
6 pcs german socket



Code SU62ICP10U6
1 pcs MCB
6 pcs ups socket



Code SW42ICP20B6I9
2 pcs MCB
6 pcs british socket
9 pcs IEC socket



Code SU42ICP20U5
2 pcs MCB
5 pcs ups socket



Code SU42ICP10U6
1 pcs MCB
6 pcs ups socket



Code SC62ICP20G2U2T44
2 pcs MCB
2 pcs german socket
2 pcs ups socket
4 pcs T104

TEM PDU ÖRNEKLER TEM PDU examples

TEM®

Çeşitli koruma tiplerinin ve çeşitli prizlerin birden fazla kez ve birlikte kullanılması mümkündür.

It is possible to use different protection types with different sockets more than once and together.





Prizlerin yanında Gerilim Koruma bulunur.
Çeşitli priz tiplerinin kombinasyonu mümkündür.
Çocuk Koruma opsiyonu mevcuttur.

There is a surge arrester protecting the devices plugged on.
Combination of different connector types is available.
Child protection option is available.



Code SU42VSPLF0G6
1 pcs surge arrester
6 pcs german socket



Code SU62VSPLF0U6
1 pcs surge arrester
6 UPS socket



Code SW42VSPLF20B6I9
1 pcs surge arrester
6 pcs british socket
9 pcs IEC socket



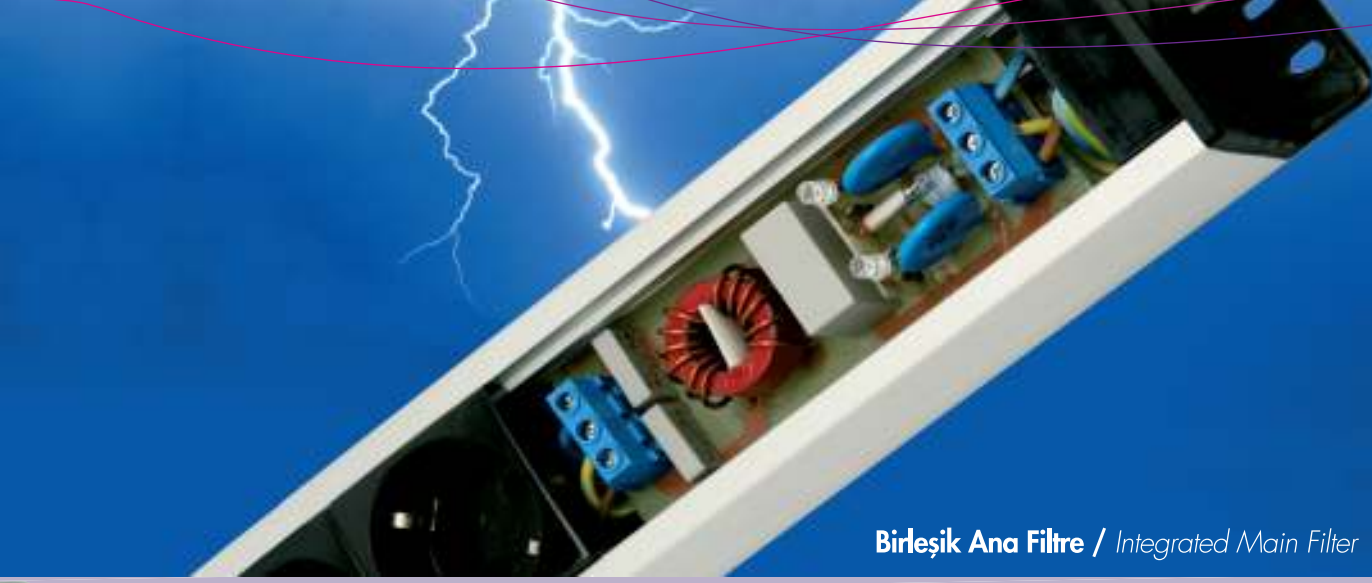
Code SU42VSPLF0F4T42
1 pcs surge arrester
4 pcs french socket
2 pcs T104



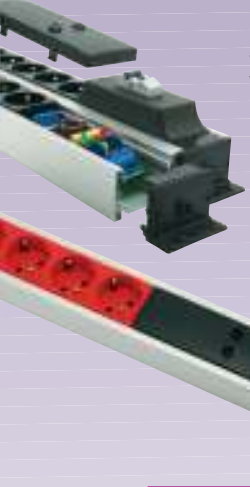
Code SC42VSPLF0G2U2T41TV1
1 pcs surge arrester
2 pcs german socket
2 pcs ups socket
1 pcs T104
1 pcs TV socket



Code SH62VSPLF0G6U4T42
2x1 pcs surge arrester
2x3 pcs german socket
2x2 pcs ups socket
2x1 pcs T104



Birleşik Ana Filtre / Integrated Main Filter



Sigortalı ve Filtreli
W Socket Strip With
Filter and Circuit Breaker

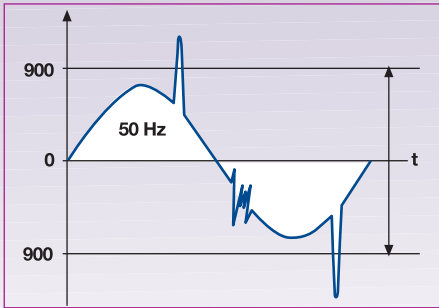
Anahtarlı ve Filtreli
U42 Socket Strip With
Filter and Switch

Aşırı gerilimler kullanmakta olduğumuz bütün cihazları etkilemekte ve tahrip etmektedir.

TEM GERİLİM KORUMA ÜNİTESİ ile yıldırım etkisi veya anahtarlama sebebiyle oluşan aşırı gerilimler ile anahattaki parazitlerin tüketici cihazlarını etkilememesi, cihaz ve makinelerdeki parazitlerin de anahatta taşınmaması sağlanır. Clas C3 filtre IEC 61643-1 uluslararası standarda uygundur.

Excessive electric surges have a negative impact on all electric appliances. Electric units may even become useless due to surges. TEM SURGE ARRESTERS AND FILTERS protect electric units from spikes due to lightning or switching and from interference in the main line and prevent the transmission of such interference in the units to the main line.

Class C3 filter is up to the IEC 61643-1 international standards.



Nominal Voltaj / Nominal Voltage	230V
Max. Sürekli Çalışma Voltajı / Maximal Continuous Operating Voltage	275V
Nominal Yük Akımı / Nominal Rated Load Current	16A
Nominal Deşarj Akımı (8/20 µs) / Nominal Discharge Current	3kA
Max. Deşarj Akımı (8/20 µs) / Maximal Discharge Current	6kA
Yıldırım İmpuls Akımı (10/350 µs) / Lightning Impulse Current	6kA
Voltaj Koruma Seviyesi / Voltage Protection Level	<1,5kV
Voltaj Koruma Seviyesi (1kA 8/20 µs) / Voltage Protection Level	650V-900V
Açma Süresi L-N, L(N)-PE / Response Time	<25ns, <100ns
Ortam Sıcaklığı / Operating Temperature Range	-10 to +40°C
Alçak Geçiren Filtre / Filter Low Pass	>20db, 150kHz < f < 1 MHz



19" Boyutundaki Çeşitlerimizin Priz Kapasiteleri socket capacity for our different 19" types		Kablolu with cable					Kablosuz without cable				
		german	UPS	french	british	IEC	german	UPS	french	british	IEC
	Klasik / classic	9	9	9	8	12	8	8	8	7	12
	Anahtarlı / with switch	7	7	7	6	10	7	7	7	8	10
	Sigortalı / with MCB	6	6	6	5	9	6	6	6	5	9
	Gerilim Korumalı / with Surge Arrester	6	6	6	5	9	6	6	6	5	9
	Aydınlatmalı / with lighting	4	4	4	4	6	4	4	4	4	6

Rack Kabinler için 18U, 36U, 42U boyunda PDU'larımız mevcuttur
our 18U, 36U and 42U lenght PDU's are also available for rack cabinets

Kabinlerde yer tasarrufu,
Dünya Standartlarına uygunluk
"Aradığınız çözümleri imal ediyoruz"

space saving for cabinets

Compliance with international standards

We manufacture solutions



Code 19U42VSPLF0G6
6 pcs german socket
1 pcs surge arrester



Code 19U42C0G7HD2
7 pcs german socket
2 pcs HDMI



Code 19U42ICP11G6
6 pcs german socket
1 pcs MCB
with cable 3G 2,5 3m



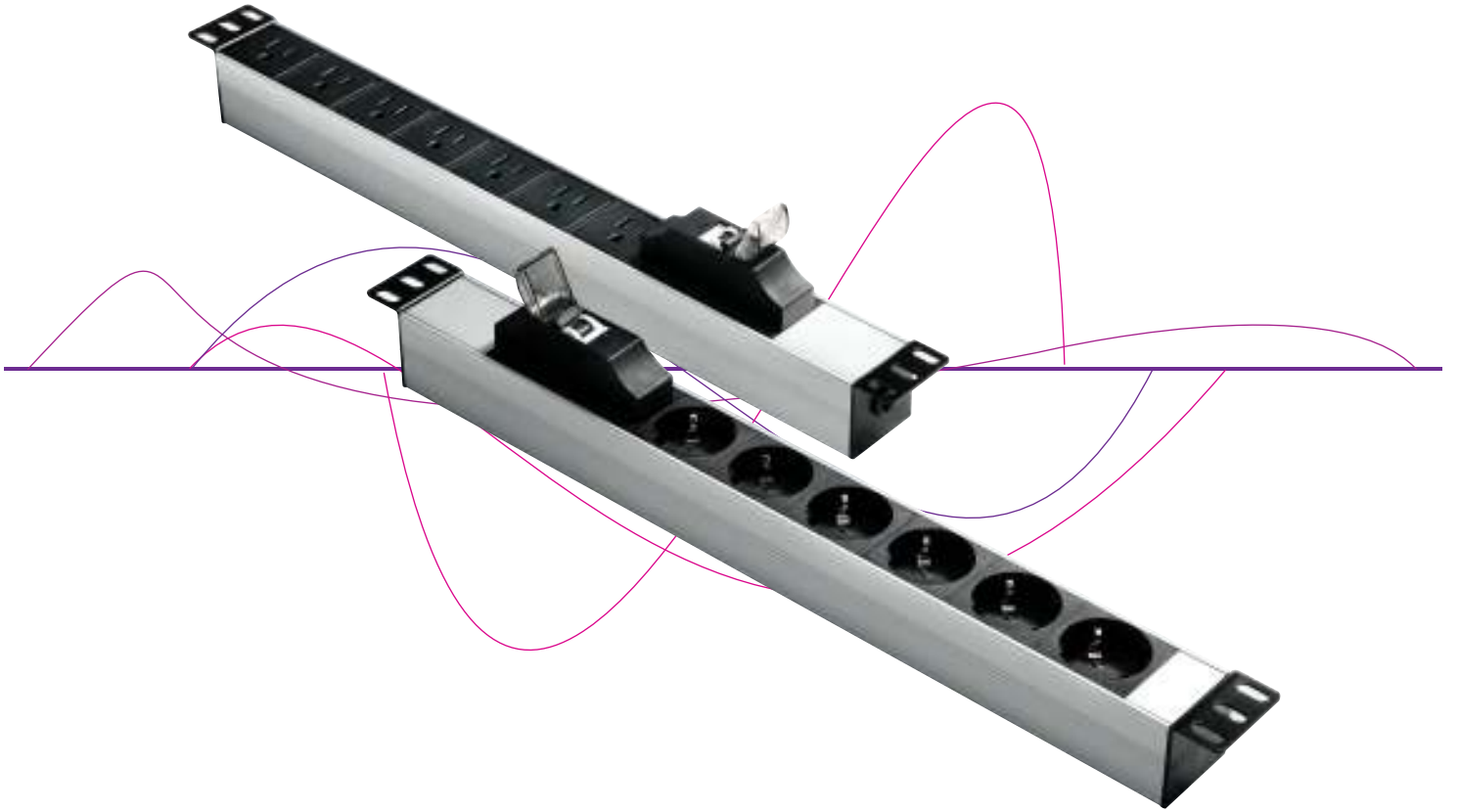
Code 19U42ICP10A1I6
6 pcs IEC socket
1 pcs MCB
1 pcs ammeter



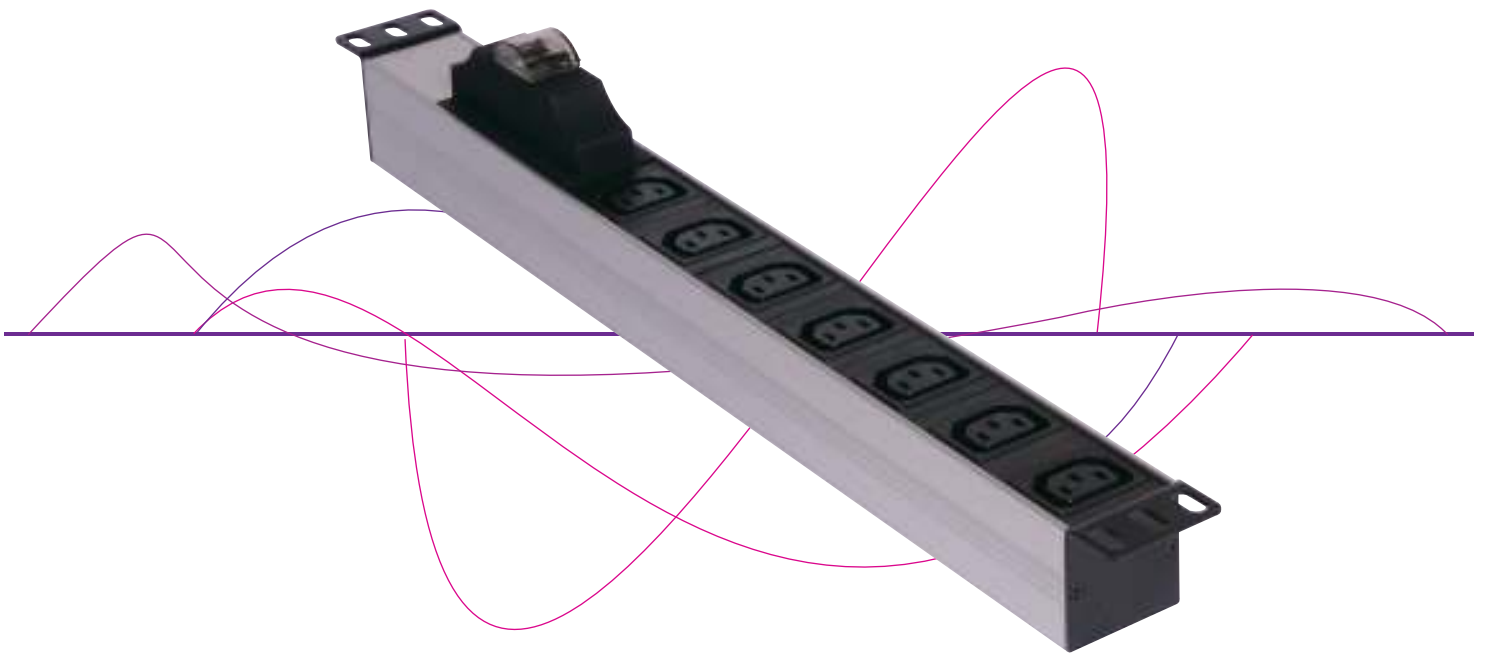
Code 19W42ICP10G12
12 pcs german socket
1 pcs MCB



Code 19W42S0G12
12 pcs german socket
1 pcs switch



TEM[®]



TEM PDU 1U

TEM PDU 1U



Kabinlerde yer tasarrufu,
19" Boy / Serbest Boy seçenekleri
Dünya Standartlarına uygunluk
"Aradığınız çözümleri imal ediyoruz"

space saving for cabinets
19" lenght / free lenght options
Compliance with international standarts
We manufacture solutions



Code 191UC0G8
8 pcs german socket



Code 191UC0U8
8 pcs usp socket



Code 19W1UICP11G15
15 pcs german socket
1 pcs MCB



Code 191USI0G4
1 pcs switch
4 pcs german socket
1 pcs led lighting



Code 191USI0I4
1 pcs switch
4 pcs IEC C13
1 pcs led lighting



Code 19W1UICP1S10I8I6
1 pcs MCB
1 pcs switch
6 pcs IEC C19
8 pcs IEC C13

TEM 1U PDU ANAHTARLI TEM 1U PDU with switch

TEM®

Prizlerin yanında Anahtar bulunur.

Çeşitli priz tiplerinin kombinasyonu mümkündür.

Çocuk Koruma opsiyonu mevcuttur.

There is a switch controlling the connectors.

Combination of different connector types is available.

Child protection option is available.



Code 191US0I8
1 pcs switch
8 pcs IEC C13



Code 191US0G7
1 pcs switch
7 pcs german socket



Code 191US0U7
1 pcs switch
7 pcs ups socket



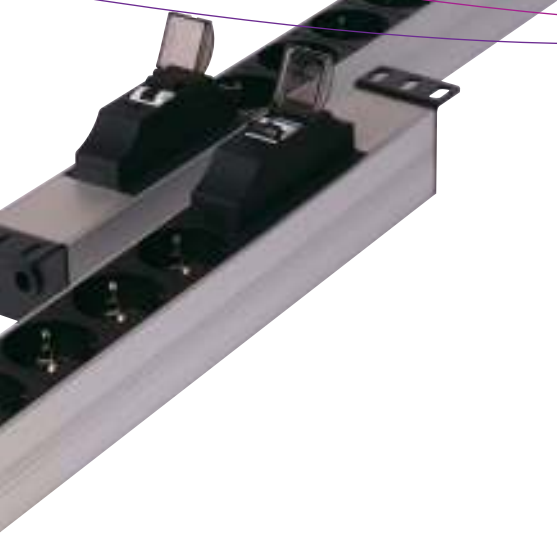
Code 191US0US8
1 pcs switch
8 pcs USA socket



Code 191US0B7
1 pcs switch
7 pcs british socket



Code 191US0I7
1 pcs switch
7 pcs IEC C19 socket



Prizlerin yanında Sigorta bulunur.
Çeşitli priz tiplerinin kombinasyonu mümkündür.
Çocuk Koruma opsiyonu mevcuttur.

There is an MCB protecting the connectors.
Combination of different connector types is available.
Child protection option is available.



Code 191UICP10I7
1 pcs MCB
7 pcs IEC C13



Code 191UICP10G6
1 pcs MCB
6 pcs german socket



Code 191UICP10U6
1 pcs MCB
6 pcs ups socket



Code 191UICP10US7
1 pcs MCB
7 pcs USA sockets



Code 191UICP10B6
1 pcs MCB
6 pcs british socket

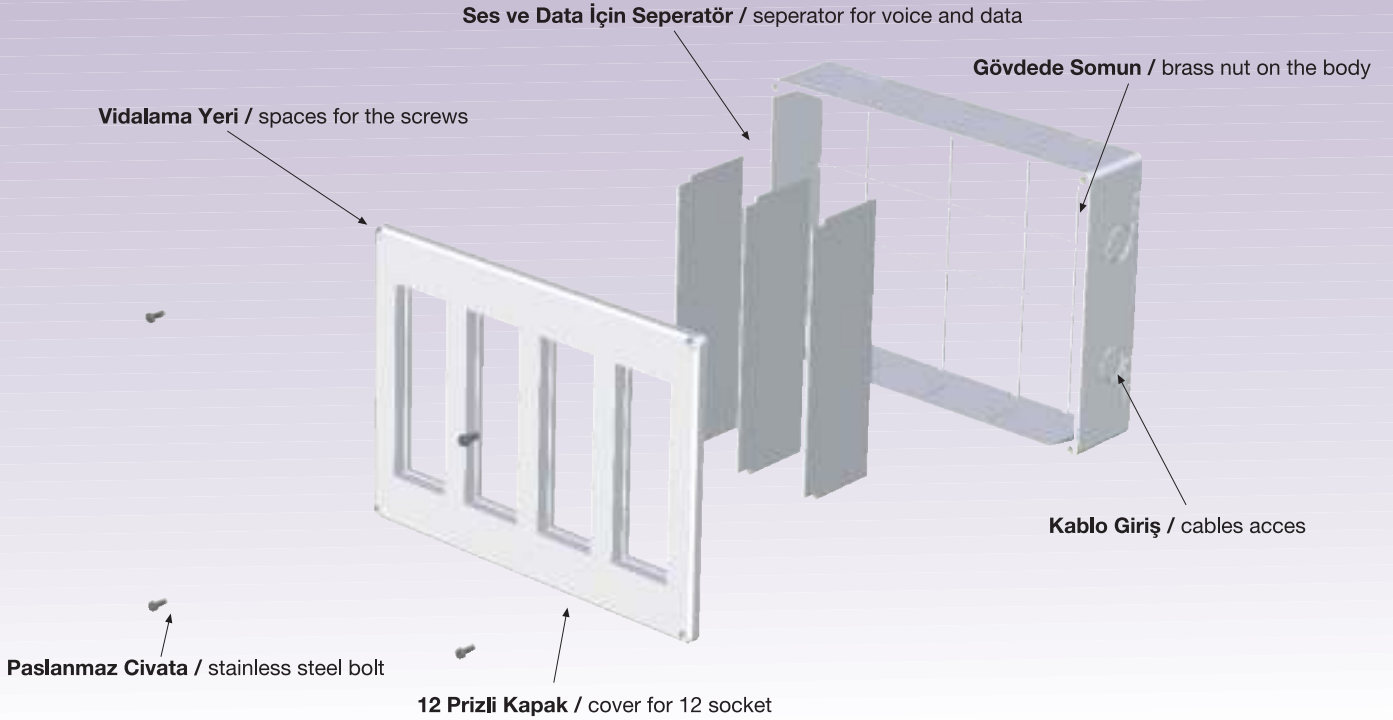
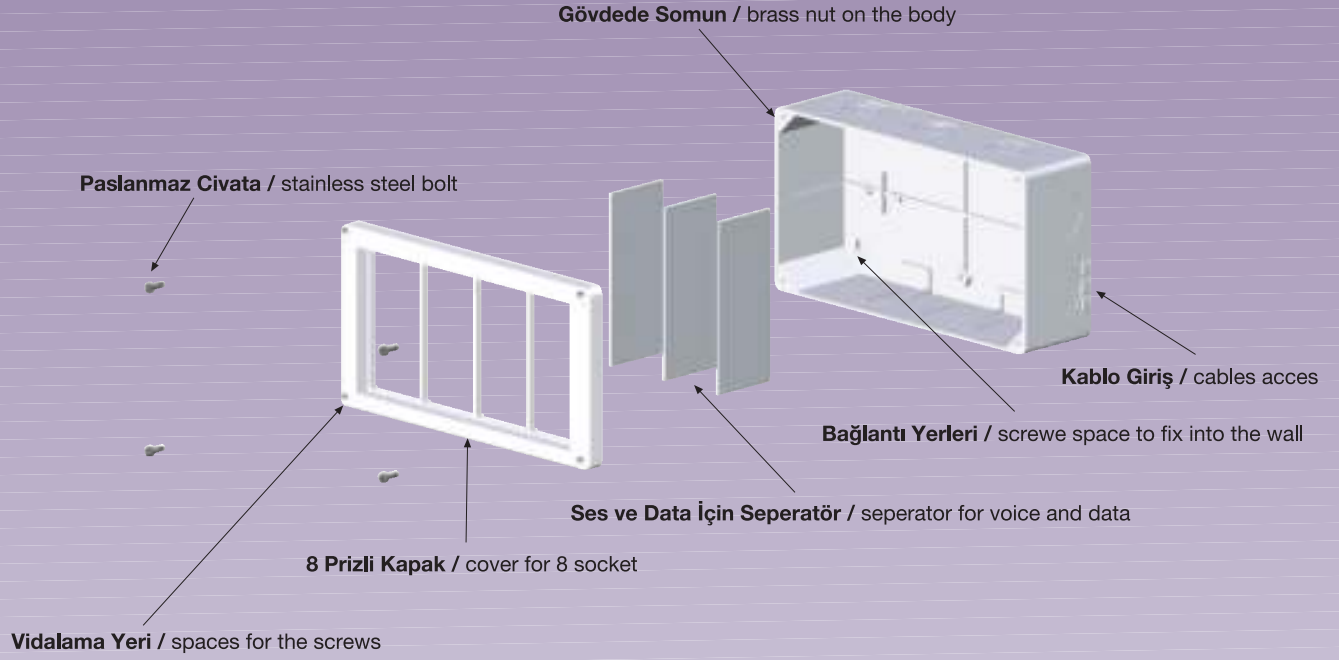




Code 191UICP10I6
1 pcs MCB
6 pcs IEC C19 socket

TEM®



DAHİLİ PRİZ KUTULARI
surface socket boxes



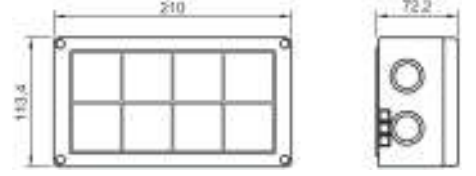
Ref. Code	Boyutlar dimensions mm			pcs	weight
					 gr.
A210	108	205	65	6	225.8
A280	205	275	65	2	547

210 DAHİLİ PRİZ KUTUSU 210 surface socket box

TEM®



210.000.000
113 x 210 x 70 mm



210 ile bazı örnekler
some examples with 210



Code 210.044.000
4 pcs ups socket
4 pcs german socket



Code 210.008.000
8 pcs ups socket



Code 210.080.000
8 pcs german socket



Code 210.206.000
2 pcs MCB
6 pcs ups socket



Code 210.260.000
2 pcs MCB
6 pcs german socket

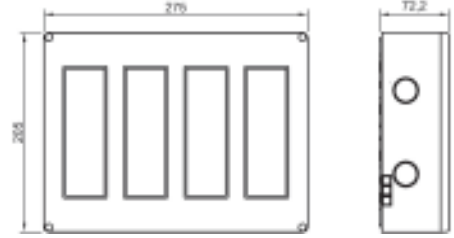


Code 210.222.200
2 pcs MCB
2 pcs ups socket
2 pcs german socket
2 pcs T101

210 ile daha farklı kombinasyonlar için lütfen bizi arayınız.
for more combinations with 210, please contact us.



280.000.000
210 x 280 x 70 mm



280 ile bazı örnekler some examples with 280



Code 280.066.000
6 pcs ups socket
6 pcs german socket



Code 280.106.300
1 pcs MCB
6 pcs ups socket
3 pcs T103



Code 280.160.060
1 pcs MCB
6 pcs german socket
6 pcs T104



Code 280.233.220
2 MCBs
3 pcs ups socket
3 pcs german socket
2 pcs T103 + 2 pcs T104



Code 280.209.000
2 pcs MCB
9 pcs UPS socket



Code 280.290.000
2 pcs MCB
9 pcs german socket

**280 ile daha farklı kombinasyonlar için lütfen bizi arayınız.
for more combinations with 280, please contact us.**

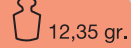
TEM®



AKSESUARLAR

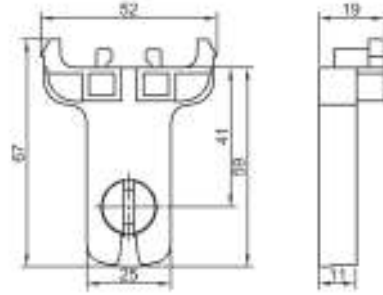
appliances

786.100.100



TEKLİ KLASİK

classic single

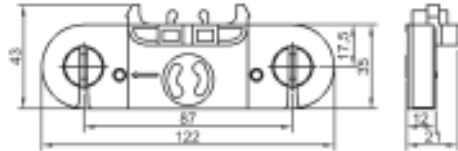


786.100.200



ÇİFTLİ KLASİK

classic double

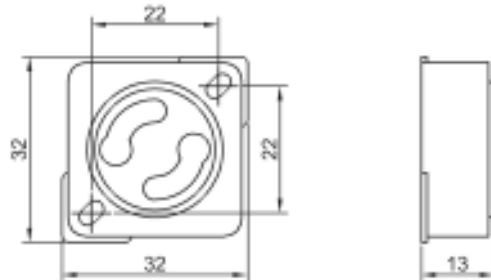


786.300.000



STARTER YUVASI

starter hole



A-EC1

KANAL SONLANDIRMA
KAPAĞI
DÜZ U42

closed ending cover
U42



A-ME1

KANAL/ MASA
MONTAJ ELEMANLARI

fixing component



A-PK2

PLASTİK BOŞLUK KAPAĞI
SİYAH

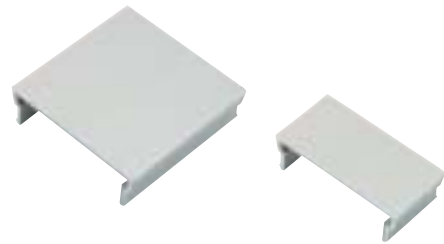
plastic cover
black



A-AK1

ALÜMİNYUM KAPAK

aluminium cover



725.315.113

ÇİFT TOPRAKLI FİŞLİ KABLO

cable with double
earthed plug



3G 1,5 H0VV-F 3 m.

250V
16A

TS.IEC 60884-1

725.325.113

ÇİFT TOPRAKLI FİŞLİ KABLO

cable with double
earthed plug



3G 2,5 H0VV-F 3 m.

250V
16A

TS.IEC 60884-1

725.310.212

GÜÇ KABLOSU

power cable



3G 1 H0VV-F 1,8 m.

250V 16A
TS.IEC 60884-1

250V 10A
IEC 320

725.315.123

İNGİLİZ FİŞLİ KABLO

cable with british plug



3G 1,5 H0VV-F 3 m.

250V
13A
BS 1363-1

A-SK1

KANAL SİGORTA KAPAĞI circuit breaker cover
for cable trunking



A-SK2

210, 280 SİGORTA KAPAĞI circuit breaker cover for
210 and 280



A-SR1

KANAL SİGORTA RAYI circuit breaker support



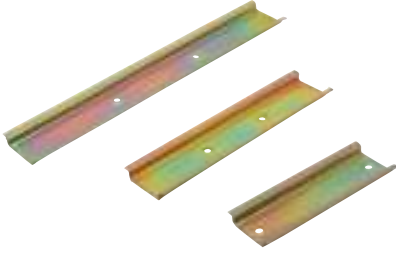
A-KC1

KABLO GEÇİŞ CONTASI cable gland



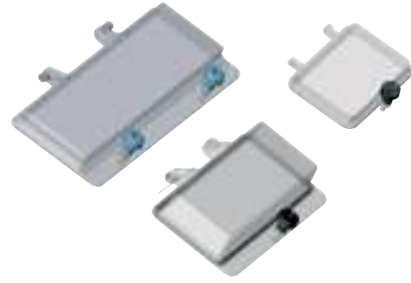
Sigorta Rayı

circuit breaker support



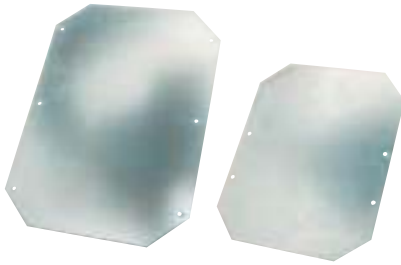
Sigorta Kapađı

circuit breaker covers



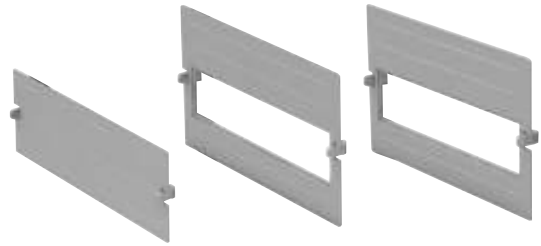
Montaj Plakası

mounting plate



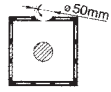
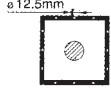


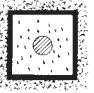

Pano Perde Plakaları

board cover plates



İLK RAKAM: Vücuda karşı koruma

FIRST NUMBER: Protection Against Foreign Substance & Contact

0	KORUMASIZ	
1	EL İLE YAKLAŞIMDA KORUMA MESAFESİ 50 mm Foreign Subst. 50 mm	
2	PARMAK İLE YAKLAŞIMDA KORUMA MESAFESİ 50 mm Foreign Subst. 12.5 mm	
3	ALET VE KABLO İLE YAKLAŞIMDA KORUMA MESAFESİ 2.5 mm Foreign Subst. 2.5 mm	
4	ALET VE KABLO İLE YAKLAŞIMDA KORUMA MESAFESİ 1 mm Foreign Subst. 1 mm	
5	TOZA KARŞI ZARARSIZ KORUMA Dust Protected	
6	TOZA KARŞI ZARARSIZ KORUMA Dust Proof	

İKİNCİ RAKAM: Suya karşı koruma

SECOND NUMBER: Protection Against Water

0	KORUMASIZ	
1	DÜŞEY SU DAMLASINA KARŞI KORUMA Dripping Water Vertical	
2	15° EĞİMLİ SU DAMLASINA KARŞI KORUMA Dripping Water 15° inci	
3	60° EĞİMLİ PÜSKÜRTME SUYA KARŞI KORUMA Spray Water 60° inci	
4	HER DOĞRULTUDA PÜSKÜRTMEYE KARŞI KORUMA Splash Water	
5	HER DOĞRULTUDA PÜSKÜRTME SUYA KARŞI KORUMA JET-WaterPROOF	
6	BOL SUDA GEÇİCİ KALMA SIZDIRMAZLIK Inundation	
7	BASINÇLI SUDA BİR SÜRE KALMA Immersion	
8	BASINÇLI SUDA BİR SÜRE KALMA Submersion	

